

Shark **POWERDETECT**

Robotic Vacuum Cleaner

RV2800VE/AV2800VE SERIES

INSTRUCTIONS

HINWEISE

NOTICE D'UTILISATION

ISTRUZIONI

MANUAL DE
INSTRUCCIONES

INSTRUÇÕES

INSTRUCTIES

ANVISNINGAR

BRUGSANVISNING

INSTRUKSJONER

OHJEET



SHARKCLEAN APP



IMPORTANT SAFETY INSTRUCTIONS

PLEASE READ CAREFULLY BEFORE USE • FOR HOUSEHOLD USE ONLY

⚠ WARNING

To reduce the risk of fire, electric shock, injury, or property damage:

CHILDREN OR ANIMALS SHOULD NOT BE LEFT UNATTENDED IN ANY ROOMS
THAT THE ROBOTIC VACUUM HAS ACCESS TO DURING CLEANING.


LASER WARNING

THIS PRODUCT HAS A CLASS 1 LASER. ALWAYS TURN OFF THE POWER BEFORE LIFTING THE ROBOTIC VACUUM CLEANER OR PERFORMING ANY MAINTENANCE ON IT. DO NOT LOOK DIRECTLY INTO LASER.

IF THE CHARGING CABLE PLUG DOES NOT FIT FULLY INTO THE SOCKET, CONTACT A QUALIFIED ELECTRICIAN. DO NOT FORCE INTO SOCKET OR TRY TO MODIFY TO FIT.

GENERAL WARNINGS

When using an electrical appliance, basic precautions should always be followed, including the following:

1. This appliance consists of a Robot Floor Cleaner vacuum and charging dock with power supply. These components contain electrical connections, electrical wiring, and moving parts that potentially present risk to the user.
2. Before each use, carefully inspect all parts for any damage. If a part is damaged, discontinue use.
3. Use only identical replacement parts. See replacement accessories page of this booklet.
4. This Robot Floor Cleaner contains no serviceable parts.
5. Use only as described in this manual. DO NOT use Robot Floor Cleaner for any purpose other than those described in this manual.
6. Do not expose any parts of the robot floor cleaner to water or other liquids.
7.  **DO NOT put hands into any opening in the dock or robot.**

USE WARNINGS

8. This product has a Class 1 Laser. Always turn off the power before lifting the robotic vacuum cleaner or performing any maintenance on it.
9. **DO NOT** look directly into laser.
10. Always turn off the robotic vacuum cleaner before inserting or removing the filter or dustbin.
11. **DO NOT** handle plug, charging dock, charging cable or Robot Floor Cleaner with wet hands. Cleaning and user maintenance must not be done by children without supervision
12. Children should **NOT** play with the appliance.
13. This appliance can be used by children aged from 8 years and above and persons with reduced physical, sensory, or mental capabilities or lack of experience and knowledge if they have been given supervision or instruction concerning use of the appliance in a safe way and understand the hazards involved.
14. **DO NOT** use the robot without the dustbin, filter in place.
15. **DO NOT** damage the charging cord:
 - a) **DO NOT** pull or carry charging dock by the cord or use the cord as a handle.
 - b) **DO NOT** unplug by pulling on cord. Grasp the plug, not the cord.
 - c) **DO NOT** close a door on the cord, pull the cord around sharp corners, or leave the cord near heated surfaces.
 - d) The supply cord cannot be replaced. If the cord is damaged the appliance should be scrapped.
16. **DO NOT** put any objects into nozzle or accessory openings. **DO NOT** use with any opening blocked; keep free of dust, lint, hair, and anything that may reduce airflow.
17. **DO NOT** use if Robot Floor Cleaner airflow is restricted. If the air paths become blocked, turn the vacuum cleaner off and remove all obstructions before turning on the unit again.
18. Keep nozzle and all vacuum openings away from hair, face, fingers, uncovered feet, or loose clothing.
19. **DO NOT** use if Robot Floor Cleaner is not working as it should, or has been dropped, damaged, left outdoors, or dropped into water.
20. **DO NOT** place vacuum cleaner on unstable surfaces.
21. **DO NOT** use to pick up:
 - a) Liquids.
 - b) Large objects.
 - c) Hard or sharp objects (glass, nails, screws, or coins).
 - d) Large quantities of dust (drywall dust, fireplace ash, or embers.)
 - e) DO NOT use as an attachment to power tools for dust collection.
 - f) Smoking or burning objects (hot coals, cigarette butts, or matches).
 - g) Flammable or combustible materials (lighter fluid, petrol, or kerosene).
 - h) Toxic materials (chlorine bleach, ammonia, or drain cleaner).

- i) Toxic materials (high concentrations of chlorine bleach liquid, high concentrations of ammonia, or drain cleaning solution).

22. **DO NOT** use in the following areas:
 - a) Outdoor areas near fireplaces with unobstructed entrances
 - b) Spaces that are enclosed and may contain explosive or toxic fumes or vapors (lighter fluid, petrol, kerosene, paint, paint thinners, mothproofing substances, or flammable dust
 - c) In an area with a space heater
 - d) Near fireplaces with unobstructed entrances.
 23. Turn off the Robot Floor Cleaner before any adjustment, cleaning, maintenance or troubleshooting. Note: in the OFF (O) position, the robot still uses a small amount of power.
 24. Allow all filters to air-dry completely before reinstalling them to prevent liquid from being drawn into electric parts.
 25. **DO NOT** modify or attempt to repair the robotic vacuum cleaner or the battery yourself, except as indicated in this Owner's Guide. **DO NOT** use the vacuum if it has been modified or damaged.
 26. **DO NOT** use any household cleaners (all-purpose cleaners, glass cleaners, bleach) on any of the polished high gloss surfaces on the docking station or robot vacuum cleaner as they contain chemicals that may damage these surfaces. Instead use a cloth dampened with water to gently clean.
 27. To minimise the risk of the robot traveling beyond an unsafe boundary (stair or cliff edges, fireplaces, water hazards), establish these areas as no-go zones using the mapping feature in the SharkClean mobile app. Upon setting the boundary, run the vacuum and visually confirm that the settings effectively prevent the robot from passing beyond the set boundary. Adjust settings as necessary. For nonapp users, use a boundary to block off an unsafe boundary.
28. The battery is the power source for the vacuum. Carefully read and follow all charging instructions.
 29. To prevent unintentional starting, ensure the vacuum is powered off before picking it up or carrying it. **DO NOT** carry the appliance with your finger on the power switch.
 30. Use **ONLY** the Shark® charging dock XDKRV2820VEEU/XDKAV2820VEEU and use only battery RVBAT850A. Use of batteries or battery chargers other than those indicated may create a risk of fire.
 31. Keep the battery away from all metal objects such as paper clips, coins, keys, nails, or screws. Shorting the battery terminals together increases the risk of fire or burns.
 32. Under abusive conditions, liquids may be ejected from the battery. Avoid contact with this liquid, as it may cause irritation or burns. If contact occurs, flush with water. If liquid contacts eyes, seek medical help.
 33. Robotic vacuum cleaner should not be stored, charged, or used at temperatures below 50°F (10°C) or above 104°F (40°C). Ensure the battery and vacuum have reached room temperature before charging or use. Exposing the robot or battery to temperatures outside of this range may damage the battery and increase the risk of fire.
 34. **DO NOT** expose the Robot Floor Cleaner or battery to fire or temperatures above 130°C (265°F) as it may cause explosion.

BATTERY USE

35. **DO NOT** put BotBoundary strips underneath carpet or rugs.
36. **DO NOT** place BotBoundary strips on top of one another.
37. Always use no-go zones or Bot-Boundary strips around reflective flooring and surfaces.
38. No-go zones or BotBoundary strips should always be used near carpeted stairs.
39. **DO NOT** use no-go zones or Bot-Boundary strips within 3 metres of the dock.
40. For your robot's cliff sensors to work properly, all runners, rugs, carpets, or small thresholds (like child gates) must be 20 centimetres from any stairs (or must be continuous and extend over the edge of the stairs). If a runner, rug, carpet, or small threshold that is less than 20 centimetres from the stairs cannot be moved, you must use a no-go zone or a BotBoundary strip to block off the stairs.

SAVE THESE INSTRUCTIONS

For the latest warnings and cautions, go to www.sharkclean.eu/robohelp

Please be sure to read the online Shark® Owner's Guide prior to using your robot.

Shark POWERDETECT

QUICK START GUIDE

DOWNLOAD THE SHARKCLEAN APP



Scan QR code with your phone's camera to quickly find and download the app

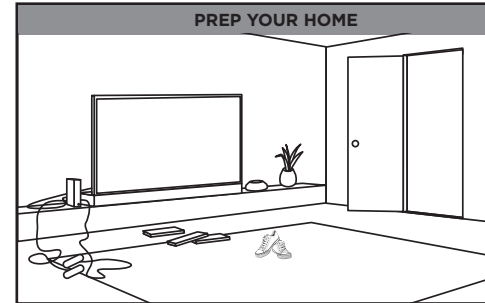
END-USER LICENSE AGREEMENT FOR SHARKNINJA SOFTWARE

Sharkclean.eu/EULA

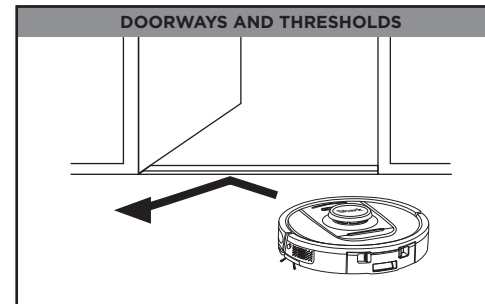
sharkclean.eu

GETTING THE MOST OUT OF YOUR ROBOT

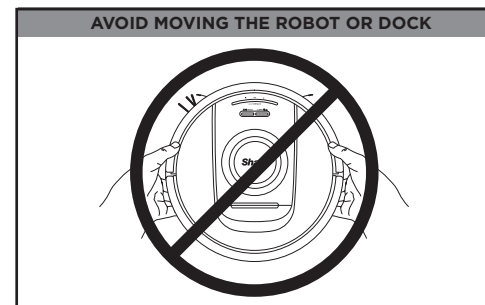
To get the best experience, download the SharkClean app and follow the tips below.



Your Power Detect robot will avoid cords, but for the best coverage and cleaning, remove cords and objects smaller than 11.5 cm in height from floors. To ensure a complete map of your home, open interior doors.



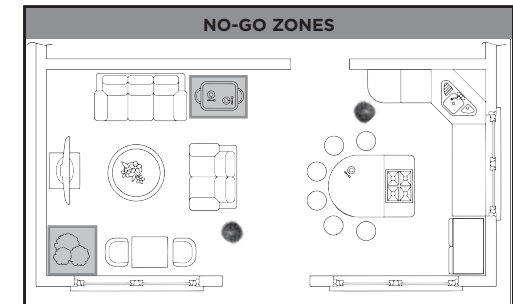
Your robot can easily climb over most thresholds, but if one is higher than 2.5cm, set up a no-go zone in the app to block it off.



While your robot is cleaning, do not pick it up and move it, or move the Self-Empty Base—this will impact the robot's ability to map your home.

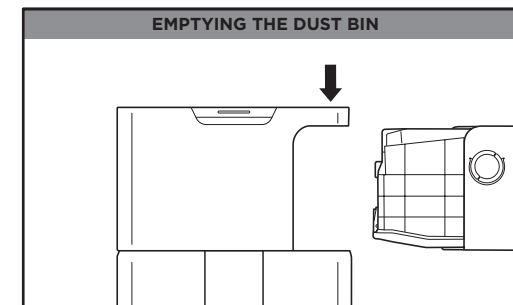


- For a constant state of clean, set up a whole-home cleaning schedule in the app.
- Use the interactive home map for an even more customisable clean.



Create no-go zones in the app to keep your robot out of the areas you would like it to avoid:

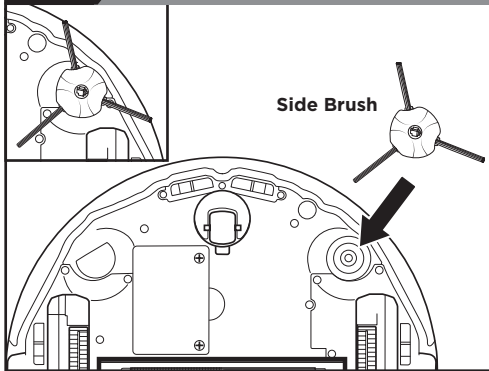
- Near power cords or phone chargers.
- In front of high thresholds.



The base is designed to hold weeks of debris. During initial use, you may have to empty it more frequently while the robot finds more debris than usual.

SETUP

STEP 1 PREP THE ROBOT

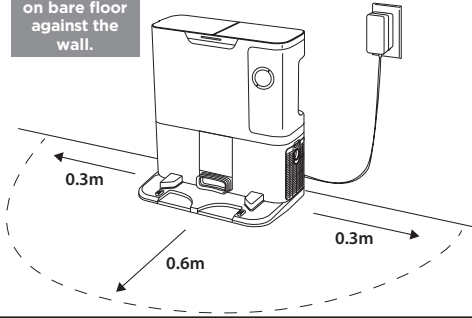


Side Brush

- Remove protective film from robot and dock.
- Attach side brush.

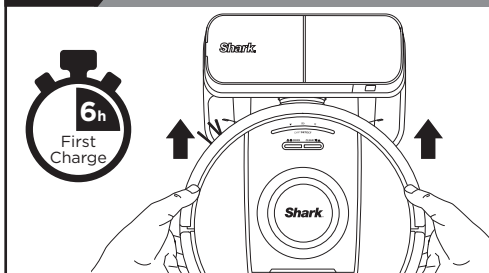
STEP 2 SET UP THE SELF-EMPTY BASE

Place base on bare floor against the wall.



- Find a **permanent** location for the base in a central area with a **strong Wi-Fi signal**.
- Remove any objects that are closer than 1m. from either side of the base, or closer than 1.5m. from the front.
- Plug in the base.

STEP 3 CHARGING YOUR ROBOT



- Place robot on base to charge for **6 hours**.
- Make sure the robot is properly aligned on the **base**.
- **TO TURN ON ROBOT:** Place robot on base or press and hold the **CLEAN** button for 5 to 7 seconds until the indicator lights turn on.

STEP 4 DOWNLOAD THE APP

SharkClean App Features

- ✓ Precision Home Mapping
- ✓ Room Select
- ✓ Spot Cleaning
- ✓ No Go Zones
- ✓ Scheduling



Search "SharkClean" in the app store or scan the QR code on the front cover to download the app.

Questions? Steps if You're Stuck:

Having trouble connecting to your robot?

For how-to videos, FAQs, troubleshooting, and tips & tricks visit: sharkclean.eu.

For full instruction booklet visit: qr.sharkclean.com/RV2820UK

SCAN HERE USING YOUR SMARTPHONE CAMERA



- To use the app, your phone must be connected to a 2.4 GHz network. The app will not work on a 5 GHz network.
- **DO NOT** use a VPN or a proxy server.
- Make sure Wi-Fi isolation is turned off on the router.

BEFORE YOU CLEAN

Your robot will need to complete an Explore Run to create a map of your home.

In the Explore Run, your robot will wander around your home as it creates a map.

After this run, you can create No-Go Zones in the areas of your home that you want to the robot to avoid while mopping. If you do not want to set up No-Go Zones, you can skip this step.

Now you're ready to clean.

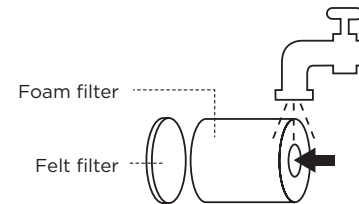
INTERACTIVE MAP WITH NO-GO ZONES



CLEANING ROBOT'S FILTER

IMPORTANT - Clean filter every month or loss of suction may occur.

Rinse and let air dry completely. Also, tap loose dirt off filter between washes as needed.



Foam filters may appear dirty after use—this is normal.

DO NOT put your hands into any opening not defined for user access

CAN'T CONNECT TO WI-FI?



Restart your phone

- Turn off phone, wait a few minutes, then turn it back on and connect to Wi-Fi.

Reboot your robot

- Take robot off dock and press and hold down the CLEAN button on the robot for 12 seconds. Turn your robot back on by placing it on the dock.

Reboot your router

- Unplug the router power cable for 30 seconds, then plug it back in. Allow several minutes for your router to reboot completely.

TWO (2) YEAR LIMITED GUARANTEE RV2820VEEU/AV2820VEEUWH

When a consumer buys a product in Europe, they get the benefit of legal rights relating to the quality of the product (your “statutory rights”).

You can enforce these rights against your retailer. However, at Shark® we are so confident about the quality of our products that we give the product owner a manufacturer’s guarantee of two years. These terms and conditions relate to our manufacturer’s guarantee only - your statutory rights are unaffected.

The conditions below describe the prerequisites and scope of our guarantee. They do not affect your statutory rights or the obligations of your retailer and your contract with them.

Shark® Guarantees

A household appliance like a Robot Vacuum constitutes a sizeable investment. Your new machine needs to work properly for as long as possible. The guarantee it comes with is an important consideration - and reflects how much confidence the manufacturer has in its product and manufacturing quality.

Every Shark® machine comes with a free parts and labour guarantee. Our customer service helpline (0800 862 0453) is open from 9.00am to 6.00pm Monday - Friday. It’s free to call, and you’ll be put straight through to a Shark® representative. You’ll also find online support at www.sharkclean.eu.

How do I register my extended Shark® guarantee?

You can register your guarantee online within 28 days of purchase. To save time, you’ll need the following information about your machine:

- Date you purchased the machine (receipt or delivery note).

To register online, please visit www.Sharkclean.eu/register-guarantee. Products purchased directly from Shark® are automatically registered.

What is covered by the free Shark® guarantee?

Repair or replacement (at Shark’s discretion) of your Shark® machine, including all parts and labour. A Shark® guarantee is in addition to your legal rights as a consumer.

What are the benefits of registering my free Shark® guarantee?

When you register your guarantee we’ll have your details to hand if we ever need to get in touch. If you further agree to receive communications from us, you can also receive tips and advice on how to get the best out of your Shark® Robot Vacuum and hear the latest news about new Shark® technology and launches.

If you register your guarantee online, you’ll get instant confirmation that we’ve received your details.

How long are new Shark® machines guaranteed for?

Our confidence in our design and quality control means that your new Shark® Robot Vacuum is guaranteed for two years.

Where can I buy genuine Shark® spares and accessories?

Shark® spares and accessories are developed by the same engineers who developed your Shark® Robot Vacuum. You’ll find a full range of Shark® spares, replacement parts and accessories for all Shark® machines at www.sharkclean.eu.

Please remember that damage caused by use of non-Shark® spares is not covered under your guarantee.

What is not covered by the free Shark® guarantee?

1. Normal wear and tear of wearable parts, which require regular maintenance and/or replacement to ensure the proper functioning of your unit, are not covered by this guarantee. Replacement parts are available for purchase at sharkclean.eu.
2. Any unit that has been tampered with or used for commercial purposes.
3. Accidental damage and faults caused by negligent use or care, misuse, neglect, careless operation or handling of the Robot Vacuum which is not in accordance with this Shark® Instruction booklet supplied with your machine.

4. Use of parts not assembled or installed in accordance with these instructions.

5. Faulty installation (except where installed by Shark®).

6. Repairs or alterations carried out by parties other than Shark® or its agents.

PLEASE READ CAREFULLY AND KEEP FOR FUTURE REFERENCE.

These instructions are designed to help you keep your Shark Matrix Robot running at peak performance.

SharkNinja Europe Ltd,
1st/2nd Floor Building 3150,
Thorpe Park,
Century Way,
Leeds, England,
LS15 8ZB

SharkNinja Germany GmbH,
Rotfeder-Ring 9,
60327 Frankfurt am Main, Germany
sharkclean.eu

Illustrations may differ from actual product. We are constantly striving to improve our products; therefore the specifications contained herein are subject to change without notice.

VIGTIGE SIKKERHEDSANVISNINGER

LÆS OMHYGGELIGT INDEN IBRUGTAGNING • KUN BEREGET TIL HUSHOLDNINGSBRUG

⚠ ADVARSEL

Reducer faren for brand, elektrisk stød, person- eller ejendomsskader:

BØRN ELLER DYR BØR IKKE EFTERLADES UDEN OPSYN I DE RUM, SOM ROBOTSTØVSUGEREN HAR ADGANG TIL UNDER RENGØRING.

ADVARSEL OM LASER

DETTE PRODUKT HAR EN LASER I KLASSE 1. SLUK ALTID FOR STRØMMEN, FØR ROBOTSTØVSUGEREN LØFTES, ELLER DER FORETAGES VEDLIGEHOLDELSE PÅ DEN. SE IKKE DIREKTE IND I LASEREN.

HVIS IKKE OPLADNINGSKABLET PASSER ORDENTLIGT I KONTAKTEN, BEDES DU KONTAKTE EN KVALIFICERET ELEKTRIKER. TVING IKKE STIKKET IND I KONTAKTEN, OG FØRSØG IKKE AT ÆNDRE DET, SÅ DET PASSER.

GENERELLE ADVARSLER

Når der anvendes elektriske apparater, skal de grundlæggende sikkerhedsforholdsregler altid overholdes, herunder følgende:

- Dette apparat består af en robotstøvsugergulvrenser og en ladestation med strømforsyning. Disse komponenter indeholder elektriske forbindelser, ledninger og bevægelige dele, som kan udgøre en fare for brugeren.
- Inden hver brug skal du omhyggeligt efterse alle dele for eventuelle skader. Hvis en del er beskadiget, skal du stoppe med at bruge den.
- Brug kun identiske reservedele. Se siden med reservedele i dette hæfte.
- Denne robotgulvrenser indeholder ingen dele, der kan repareres af kunden.
- Må kun bruges som beskrevet i denne vejledning. BRUG IKKE robotgulvrenseren til andre formål end dem, der er beskrevet i denne vejledning.
- Udsæt ikke robotstens bundelement for vand eller andre væsker.
-  **STIK IKKE hænderne ind i robotstens eller ladestationens åbninger.**

ADVARSLER VED BRUG

- Dette produkt har en laser i klasse 1. Sluk altid for strømmen, før robotstøvsugeren løftes, eller der foretages vedligeholdelse på den.
- SE IKKE** direkte ind i laseren.
- Sluk altid for robotstøvsugeren, før du indsætter eller fjerner filteret eller støvbeholderen.
- Du må **IKKE** håndtere stik, ladestation, ladekabel eller robotgulvrenseren med våde hænder. Rengøring og brugsvedligeholdelse må ikke udføres af børn uden overvågning
- Børn må **IKKE** lege med dette apparat.
- Dette apparat kan bruges af børn fra 8 år og opæfter og personer med nedsatte fysiske og mentale evner, nedsat følesans eller manglende erfaring og viden, hvis de er under opsyn eller er blevet givet instruktion vedrørende brug af apparatet på en sikker måde og forstår de involverede risici.

- MÅ IKKE** bruges, hvis støvbeholderen, ikke er på plads.
- Ødelæg **IKKE** ladekablet:
 - UNDLAD** at trække eller bære ladestationen i ledningen, og brug heller ikke ledningen som håndtag.
 - UNDLAD** at trække stikket ud ved at hive i ledningen. Tag fat i stikket, ikke ledningen.
 - UNDLAD** at lukke en dør på ledningen, trække ledningen rundt om skarpe hjørner, eller lade ledningen være tæt på opvarmede overflader.
 - Forsyningsledningen kan ikke udskiftes. Hvis ledningen beskadiges, bør apparatet skrottes.
- UNDGÅ** at indsætte genstande i mundstykket eller tilbehørsåbningerne. **MÅ IKKE** bruges, hvis åbningerne er blokeret. Hold apparatet fri for støv, fnug, hår og andet, som mindsker luftstrømningen.
- MÅ IKKE** bruges, hvis robotgulvrenserens luftstrømning er begrænset. Hvis luftvejen blokeres, skal du slukke støvsugeren og fjerne alle blokeringer, før du tænder den igen.
- Hold mundstykket og alle støvsugeråbninger væk fra hår, ansigt, fingre, utildækkede fødder eller løst tøj.
- MÅ IKKE** bruges, hvis robotgulvrenseren ikke fungerer, som den skal, er blevet tabt, beskadiget, efterladt udenfor eller er blevet nedsænket i vand.
- Støvsugeren **MÅ IKKE** placeres på ustabile overflader.
- MÅ IKKE** bruges til at opsamle:
 - Væsker.
 - Store genstande.
 - Hårde eller skarpe genstande (glas, søm, skruer eller mønter).
 - Store mængder støv (murstøv, aske fra en pejs eller gløder).
 - Må IKKE bruges som tilbehør til elværktøj beregnet til støvopsamling.
 - Rygende eller brændende genstande (varmt kul, cigaretskoder eller tændstikker).

- Brandbare materialer (tændervæske, benzin eller petroleum).
 - Giftige materialer (klorholdigt blegemiddel, ammoniak eller afløbsrens).
 - Giftige materialer (høje koncentrationer af klorholdigt blegemiddel, høje koncentrationer af ammoniak eller afløbsrens).
- UNDLAD** at bruge på følgende områder:
 - Udendørs områder i nærheden af pejse med uhindret adgang.
 - Rum, der er lukkede og kan indeholde eksplosive eller giftige dampe (tændervæske, benzin, petroleum, maling, malingfortyndere mølsikringsmidler) eller brændbart støv.
 - I et område med varmeblæser.
 - I nærheden af pejse med uhindret adgang.
 - Sluk for robotgulvrenseren, før enhver form for tilpasning, rengøring, vedligeholdelse eller fejlfinding. Bemærk: Robotten bruger stadig en smule strøm i slukket position (O).
 - Lad alle filtre lufttørre helt, før de geninstalleres, for at forhindre, at væske suges ind i elektriske dele.
 - UNDGÅ** at ændre eller forsøge at reparere robotstøvsugeren eller batteriet selv, med mindre det gøres som angivet i denne brugervejledning. **UNDGÅ** at bruge batteriet eller støvsugeren, hvis de er blevet ændrede eller beskadigede.
 - UNDGÅ** at bruge husholdningsrengøringsmidler (universalrengøringsmidler, glasrenser, blegemiddel) på nogen af de polerede højglansoverflader på ladestationen eller robotstøvsugeren, da de indeholder kemikalier, der kan beskadige disse overflader. Brug i stedet en fugtig klud med vand.
 - For at minimere risikoen for, at robotten bevæger sig ud over en usikker grænse (trapper eller kanter, pejse, vandfarer), så etabler disse områder som "adgang forbudt"-zoner ved hjælp af kortlægningsfunktionen i SharkClean™-mobilappen. Ved opsætning af grænserne aktiveres for at visuelt bekræfte, at indstillingerne forhindrer robotten i at køre ud over den indstillede grænse. Juster indstillinger efter behov. Hvis du ikke bruger appen, skal du bruge en grænse til at blokere en usikker grænse.

BATTERIFORBRUG

- Batteriet er støvsugerens strømkilde. Læs omhyggeligt, og følg alle instruktioner om opladning.
- For at forhindre utilsigtet start skal du sørge for, at støvsugeren er slukket, før du samler den op eller bærer den. **UNDLAD** at bære apparatet, mens du har fingrene på startknappen.
- Brug kun Shark®-ladestationen XDKRV2820VEEU/XDKAV2820VEEU, og brug kun batteriet RVBAT850A. Brug af andre batterier eller batteriopladere end de angivne kan skabe risiko for brand.
- Hold batteriet væk fra metalgenstande som f.eks. papirclips, mønter, nøgler, søm og skruer. Hvis batteriets poler kortsluttes, øges risikoen for brand eller forbrændinger.
- Ved forkert brug kan der udstødes væsker fra batteriet. Undgå kontakt med denne væske, da den kan forårsage irritation eller forbrændinger. Hvis der finder kontakt sted, skal du skylle med vand. Hvis væsken kommer i kontakt med øjnene, skal der søges lægehjælp.
- Robotstøvsugeren skal ikke opbevares, oplades eller bruges ved temperaturer under 10 °C eller over 40 °C. Sørg for, at batteriet og støvsugeren har nået stuetemperatur, før opladning eller brug. Hvis robotten eller batteriet udsættes for temperaturer uden for det angivne interval, kan det ødelægge batteriet og øge risikoen for brand.
- UNDGÅ** at udsætte robotgulvrenseren eller batteriet for ild eller temperaturer over 130 °C, da dette kan forårsage eksplosion.

ADGANG FORBUDT-ZONER OG BOTBOUNDARY-BÅND

- UNDGÅ** at lægge BotBoundary-bånd under tæpper eller gulvtæpper.
- Placer **IKKE** BotBoundary-strimler ovenpå hinanden.
- Brug altid "adgang forbudt"-zoner eller Bot-Boundary-strimler omkring reflekterende gulve og overflader.
- "Adgang forbudt"-zoner eller BotBoundary-strimler bør altid bruges i nærheden af tæppebelagte trapper.
- BRUG IKKE** "adgang forbudt"-zoner eller Bot-Boundary-strimler inden for 3 meter fra docken.
- For at din robots klippe-sensorer kan fungere korrekt, skal alle løbere, måtter, gulvtæpper eller små dørtrin (som for eksempel børnelåger) være 20 cm væk fra trapper (eller fortsætte ud over kanten af trapperne). Hvis en løber, en måtte, et gulvtæppe eller et lille dørtrin, som er mindre end 20 cm fra trapperne, ikke kan flyttes, skal du bruge en "adgang forbudt"-zone eller en BotBoundary-strimle til at blokere trapperne.

GEM DISSE ANVISNINGER

Find de seneste advarser og forholdsregler på www.sharkclean.eu/robothelp

Sørg for at læse den online Shark®-brugervejledning, inden du bruger robotten.

Shark POWERDETECT

STARTVEJLEDNING

DOWNLOAD SHARKCLEAN-APPEN



Scan QR-koden med din telefons kamera for hurtigt at finde og downloade appen

SLUTBRUGERAFTALE FOR SHARKNINJA SOFTWARE

Sharkclean.eu/DN-EULA

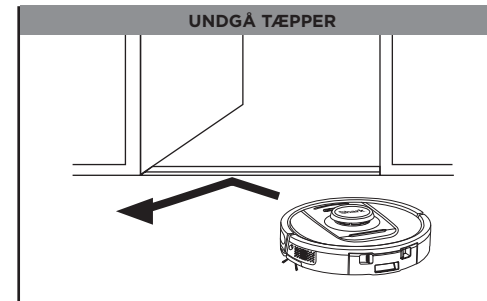
sharkclean.eu

SÅDAN FÅR DU MEST UD AF DIN ROBOT

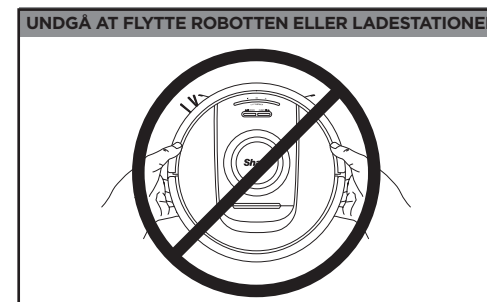
For at få den bedste oplevelse skal du downloade SharkClean-appen og følge nedenstående tips.



Din Power Detect-robot undgår ledninger, men for at få den bedste dækning og rengøring, skal du fjerne ledninger og genstande, som er lavere end 11 cm over gulvet. For at sikre en komplet kortlægning af dit hjem skal du åbne alle indvendige døre.



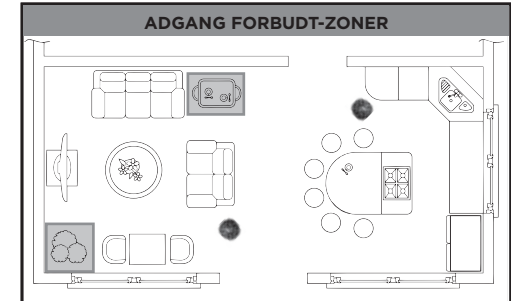
Din robot kan nemt klatre henover de fleste tærskler, men hvis de er højere end 2,5 cm, skal du oprette en "adgang forbudt"-zone i appen for at blokere den.



Når robotten gør rent, må du ikke tage den op eller flytte den, og heller ikke den selvtømmende ladestation - dette kan påvirke robotens evne til at kortlægge dit hjem.

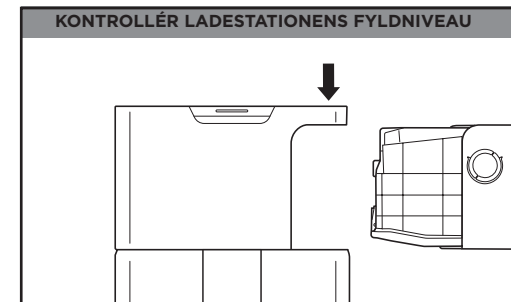


- For at få en konstant status på rengøringen, skal du oprette en rengøringsplan for hele hjemmet i appen.
- Brug det interaktive hjemmekort for en endnu mere tilpasset rengøring.



Opret Adgang forbudt-zoner i appen til at holde din robot væk de områder, hvor du gerne vil undgå at den kommer:

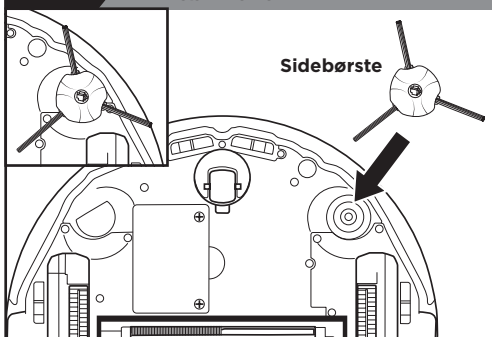
- Tæt på ledninger eller mobilopladere.
- Foran høje dørtrin.



Bunden er designet til at holde til uger af snavs. I starten skal den måske tømmes oftere, da robotten støvsuger mere snavs op end normalt. Se fyldniveauet for at vide, hvornår den skal tømmes.

INDSTILLING

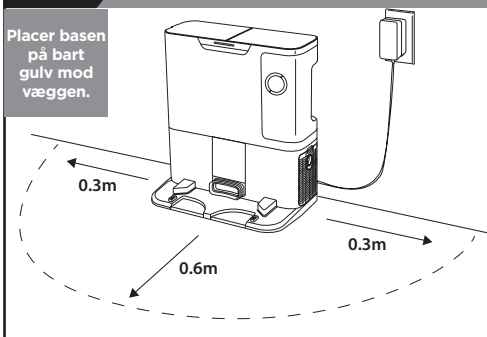
TRIN 1 KLARGØR ROBOTTEN



- Fjern beskyttelsesfilmen fra robotten og ladestationen.
- Monter sidebørste.

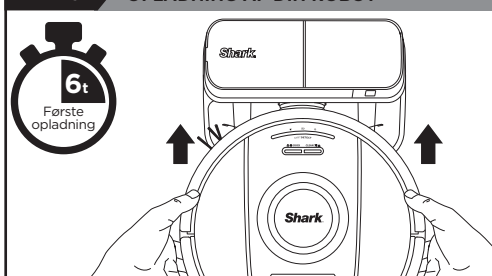
TRIN 2 MONTER SELVTØMNINGSBASEN

Placer basen på bart gulv mod væggen.



- Find et **permanent** opholdssted til basen i et centralt område med et **stærkt Wi-Fi-signal**.
- Fjern de genstande, der er tættere på end 1 m på hver side af basen eller tættere på end 1,5 m på basens front.
- Tilslut basen.

TRIN 3 OPLADNING AF DIN ROBOT



- Anbring robotten på basen for at oplade i **seks timer**.
- Når robotten er korrekt justeret med **BAGERSTE DEL** mod basen, vil **opladningsikonet** ⚡ øverst til højre på basen lyse, og batteriikonet 🔋 på robotten vil lyse.
- Sørg for, at robotten er korrekt justeret på **basen**.
- **SÅDAN TÆNDES ROBOTTEN:** Placer robotten på basen og hold **RENGØRINGS** ⏻-knappen nede i fem til syv sekunder til indikatorlamperne tændes.

KAN DU IKKE OPRETTE FORBINDELSE TIL WI-FI?



Genstart din telefon

- Sluk for telefonen, vent et par minutter, tænd så for den igen, og opret forbindelse til Wi-Fi.

Genstart din robot

- Tag robot af ladestationen og hold CLEAN (RENGØRING)-knappen på robotten nede i 12 sekunder. Tænd for din robot igen ved at placere den i ladestationen.

Genstart din router

- Fjern strømkablet fra din router i 30 sekunder og tilslut det så igen. Det kan tage flere minutter for din router at genstarte.

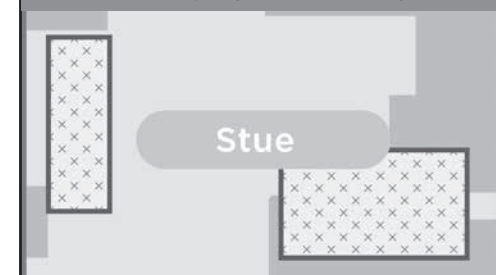
FØR DU GØR RENT

Under udforsningskørslen vil robotten køre rundt og udforske dit hjem, mens den opretter et kort.

Efter denne kørsel kan du oprette tæppezoner i områder af dit hjem, som du ønsker at robotten skal undgå. Hvis du ikke ønsker at oprette tæppezoner, eller ikke har tæpper og måtter i dit hjem, kan du springe dette trin over.

Nu er du klar til at gøre rent.

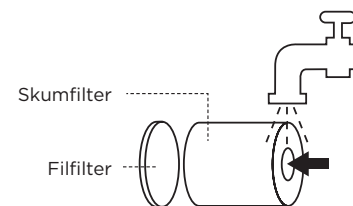
INTERAKTIVT KORT MED TÆPPEZONER



RENGØRING AF ROBOTFILTER

VIGTIGT - Rengør filteret hver måned, ellers kan der forekomme tab af sugning.

Rens og lufttør fuldstændig. Bank også løst snavs af filteret mellem vaske efter behov.



Skumfiltre kan virke snavsede efter brug - dette er normalt.



STIK IKKE dine hænder ind i nogen åbning, der ikke er har en brugerfunktion i vejledningen

TRIN 3 DOWNLOAD APPEN

SharkClean App-funktioner

- ✓ Præcis kortlægning a hjemmet
- ✓ Vælg rum
- ✓ Pletrensning
- ✓ No-Go-zoner
- ✓ Schemalægning



Søg efter "SharkClean" i app store eller scan QR-koden på forsiden for at downloade appen.



Spørgsmål? Ting, som er lette at gøre, hvis du er gået i stå:

Har du problemer med at oprette forbindelse til din robot?

For at se demovideoer, ofte stillede spørgsmål, løsning af problemer samt tips og tricks kan du besøge: sharkclean.eu.

For komplette vejledninger besøg:

qr.sharkclean.com/RV2820EU eller **SCAN HER VED HJÆLP AF DIN SMARTPHONES KAMERA**

- For at du kan bruge appen, skal din telefon være forbundet til et 2,4 GHz-netværk. Appen virker ikke på et 5 GHz-netværk.
- **BRUG IKKE** VPN eller en proxyserver.
- Sørg for, at Wi-Fi-isolation er slukket på routeren.

TO (2) ÅRS BEGRÆNSET GARANTI RV2820VEEU/AV2820VEEUWH

Forbrugere, der køber produkter i Danmark, drager fordel af de juridiske rettigheder i forbindelse med produktets kvalitet (de "lovbestemte rettigheder"). Du kan gøre disse rettigheder gældende over for forhandleren. Men hos Shark® er vi dog så sikre på vores produkters kvalitet, at vi giver den produktejer en fabriksgaranti på op til to år. Disse vilkår og betingelser gælder udelukkende vores fabriksgaranti - dine lovbestemte rettigheder påvirkes ikke.

Vilkårene nedenunder beskriver betingelserne og omfanget af vores garanti. Den påvirker ikke din lovbestemte rettigheder eller din forhandlers forpligtelser og din kontrakt med dem.

Shark®-garantier

Et husholdningsapparat såsom en robotstøvsuger er en større investering. Dit nye apparat skal fungere korrekt så længe som muligt. Garantien, der følger med apparatet, er vigtig at tage i betragtning, da den afspejler, hvor megen tiltro producenten har til produktet og fabrikationskvaliteten.

Alle Shark®-apparater har garanti, der omfatter gratis dele og arbejdskraft. Vores kundeservices hjælpelinje (0800 862 0453) er åben fra kl. 9.00 til 18.00 mandag-fredag. Det er gratis at ringe, og du bliver stillet direkte om til en Shark®-repræsentant. Du kan også finde

online support på www.sharkclean.eu.

Hvordan registrerer jeg min udvidede Shark®-garanti?

Du kan registrere din garanti online inden for 28 dage efter købet. For at spare tid skal du vide følgende om dit apparat:

- Dato for købet af apparatet (kvittering eller leveringsseddel).

Hvis du vil registrere online, skal du gå ind på www.Sharkclean.eu/uk/register-guarantee. Produkter, der købes direkte fra Shark®, registreres automatisk.

Hvad dækker den gratis Shark®-garanti?

Reparation eller udskiftning (efter Sharks vurdering) af dit Shark® apparat, inklusive alle dele og alt arbejdskraft. En Shark® garanti er et tillæg

til dine forbrugerrettigheder.

Hvad er fordelene ved at registrere min gratis Shark®-garanti?

Den vigtigste fordel er den et års ekstra garanti. Når du registrerer din garanti, har vi dine oplysninger ved hånden, hvis der nogensinde

skulle være behov for at komme i kontakt med hinanden. Hvis du takker ja til at modtage mails fra os, kan du også modtage tips og råd om, hvordan du får det bedste ud af din Shark® robotstøvsuger, og få de seneste nyheder om nye Shark® teknologier og lanceringer.

Registreres garantien online, får du straks bekræftelse på, at vi har modtaget dine oplysninger.

I hvor lang tid har nye Shark®-apparater garanti?

Vores tillid til vores design og kvalitetskontrol betyder, at din nye Shark® robotstøvsuger er garanteret to år i alt.

Hvor kan jeg købe originale Shark®-reservedele og tilbehør?

Shark® dele og tilbehør er udviklet af de samme teknikere, der også har udviklet Shark® robotstøvsuger. Du kan se hele udvalget af Shark® dele, reservedele og tilbehør til alle Shark® apparater på www.sharkclean.eu.

Husk, at skader forårsaget af brug af ikke-originale Shark® dele ikke er omfattet af din garanti.

Hvad dækker den gratis Shark®-garanti ikke?

1. Normal slitage på dele af udskiftelige dele, der kræver regelmæssig vedligeholdelse og/eller udskiftning for at sikre, at dit apparat fungerer korrekt, dækkes ikke af garantien. Reservedele kan købes på sharkclean.eu.

2. Ethvert apparat, der er blevet manipuleret eller har været brugt til kommercielle formål.

3. Utilsigtet beskadigelse og fejl forårsaget af uforsigtig brug eller pleje, misbrug, forsømmelse, uforsigtig brug eller håndtering af apparatet, der ikke er i overensstemmelse med denne Shark®-brugervejledning, der blev leveret med apparatet.

4. Brug af dele, der ikke er samlet eller installeret i overensstemmelse med denne brugsanvisning.

5. Fejlinstallering (bortset fra når installeringen er udført af Shark®).

6. Reparationer og ændringer gennemført af andre end Shark® eller deres repræsentanter.

LÆS DENNE VEJLEDNING OMHYGGELIGT IGENNEM, OG GEM DEN TIL FREMTIDIGE OPSLAG.

Disse instruktioner er designet til at hjælpe dig med at holde din Shark Matrix Robot kørende med maksimal ydeevne.

SharkNinja Europe Limited,
3150 Century Way,
Thorpe Park,
Leeds,
LS15 8ZB

SharkNinja Germany GmbH,
Rotfeder-Ring 9,
60327 Frankfurt am Main, Germany
sharkclean.eu

Illustrationerne kan afvige fra det aktuelle produkt. Vi bestræber os hele tiden på at forbedre vores produkter, og derfor kan specifikationer i denne vejledning blive ændret uden varsel.

WICHTIGE SICHERHEITSHINWEISE

VOR DEM GEBRAUCH BITTE SORGFÄLTIG DURCHLESEN • NUR FÜR DEN HAUSGEBRAUCH

⚠️ WARNHINWEIS

So verringern Sie das Risiko von Brand, Elektroschock, Verletzungen oder Sachschäden:

KINDER ODER TIERE DÜRFEN NICHT IN RÄUMEN UNBEAUFICHTIGT GELASSEN WERDEN, DIE FÜR DEN ROBOTERSTAUBSAUGER WÄHREND DER REINIGUNG ZUGÄNGLICH SIND.

LASER-WARNUNG

DIESES PRODUKT HAT EINEN LASER DER KLASSE 1. ER IST UNTER NORMAL VORHERSEHBAREN BEDINGUNGEN (WIE IN DIESER ANLEITUNG BESCHRIEBEN) SICHER. DEN SAUGROBOTER STETS AUSSCHALTEN, BEVOR ER HOCHGEHOBBEN WIRD ODER WARTUNGSARBEITEN AN IHM VORGENOMMEN WERDEN. NICHT DIREKT IN DEN LASER SCHAUEN.

WENN DER STECKER DES LADEKABELS NICHT VOLLSTÄNDIG IN DIE STECKDOSE PASST, WENDEN SIE SICH AN EINEN QUALIFIZIERTEN ELEKTRIKER. SCHIEBEN SIE DEN STECKER NICHT MIT GEWALT IN DIE STECKDOSE, UND VERSUCHEN SIE NICHT, DEN STECKER AN DIE STECKDOSE ANZUPASSEN.

ALLGEMEINE WARNHINWEISE

Bei der Verwendung eines Elektrogeräts sollten immer die grundlegenden Vorkahrungen befolgt werden, einschließlich der folgenden:

- Der Saugroboter besteht aus einem Roboter und einer Ladestation mit Netzteil. Diese Komponenten enthalten elektrische Anschlüsse, elektrische Leitungen und bewegliche Teile, von denen eine Gefahr für den Benutzer ausgehen kann.
- Inspizieren Sie sämtliche Komponenten vor der Verwendung auf Schäden. Ist eine Komponente beschädigt, dürfen Sie den Staubsauger nicht verwenden.
- Verwenden Sie ausschließlich identische Ersatzteile.
- Der Roboterstaubsauger enthält keine Wartungsteile.
- Nutzen Sie das Gerät nur wie in dieser Bedienanleitung beschrieben. Verwenden Sie den Saugroboter **AUSSCHLIESSLICH** für die in dieser Bedienanleitung angegebenen Zwecke.
- Setze keine Teile des Saugroboters Wasser oder anderen Flüssigkeiten aus.
-  **Greifen Sie NICHT in die Öffnungen der Basis oder des Roboters.**

Warnhinweise ZUR NUTZUNG

- Dieses Produkt hat einen Laser der Klasse 1. Er ist unter normal vorhersehbaren Bedingungen (wie in dieser Bedienanleitung beschrieben) sicher. Den Saugroboter stets ausschalten, bevor er hochgehoben wird oder Wartungsarbeiten an ihm vorgenommen werden.
- NICHT** direkt in den Laser schauen.
- Schalten Sie den Roboterstaubsauger immer aus, bevor Sie den Filter oder Staubbehälter einsetzen oder entfernen.
- Fassen Sie den Netzstecker, die Ladestation oder den Roboterstaubsauger **NICHT** mit nassen Händen an. Reinigung und durch den Anwender vorzunehmende Wartungsarbeiten dürfen von Kindern nur unter Aufsicht vorgenommen werden.
- Kinder dürfen **NICHT** mit diesem Gerät spielen.
- Dieses Gerät kann unter Aufsicht oder nach ausreichender Einweisung von Kindern ab 8 Jahren und von Personen mit verminderten physischen, sensorischen oder geistigen Fähigkeiten oder einem Mangel an Erfahrung und Kenntnissen verwendet

werden, wenn sie die damit verbundenen Risiken kennen.

- Verwenden Sie das Gerät **NICHT** ohne eingesetzten Roboter-Staubbehälter und -Filter.
- Beschädigen Sie **NICHT** das Ladekabel:
 - Ziehen oder tragen Sie die Ladestation **NICHT** am Kabel und verwenden Sie das Kabel nicht als Griff.
 - Entfernen Sie den Stecker **NICHT**, indem Sie ihn am Stromkabel aus der Steckdose ziehen. Ziehen Sie am Stecker, nicht am Kabel.
 - Achten Sie darauf, dass das Netzkabel **NICHT** in einer Tür eingeklemmt oder um scharfe Ecken geführt wird, und halten Sie es von heißen Oberflächen fern.
 - Das mitgelieferte Kabel kann **NICHT** ausgetauscht werden. Wenn das Kabel beschädigt ist, sollte das Gerät entsorgt werden.
- Stecken Sie **KEINE** Gegenstände in die Düse oder Zubehöroffnungen. Benutzen Sie das Gerät **NICHT**, wenn eine Öffnung blockiert ist; halten Sie die Öffnung immer frei von Staub, Fusseln, Haaren und allem, was den Luftstrom behindern könnte.
- Verwenden Sie den Saugroboter **NICHT**, wenn der Luftstrom beeinträchtigt ist. Wenn der Luftstrom blockiert sind, schalten Sie den Staubsauger aus und entfernen Sie sämtliche Fremdkörper, bevor Sie das Gerät wieder in Betrieb nehmen.
- Halten Sie die Düse und alle Öffnungen des Staubsaugers von Haaren, Gesicht, Fingern, bloßen Füßen oder loser Kleidung fern.
- Benutzen Sie den Roboterstaubsauger **NICHT**, falls er nicht ordnungsgemäß funktioniert bzw. fallen gelassen, beschädigt, im Freien stehen gelassen oder in Wasser getaucht wurde.
- Stellen Sie den Staubsauger **NICHT** auf instabile Oberflächen wie Stühle oder Tische.
- Verwenden Sie das Gerät **NICHT**, um Folgendes aufzusaugen:
 - Flüssigkeiten.
 - Große Gegenstände.
 - Harte oder spitze Gegenstände (Glas, Nägel, Schrauben oder Münzen).
 - Große Mengen an Staub (Staub von Trockenbau, Kaminasche oder Glut).
 - NICHT** als Aufsatz für Elektrowerkzeuge zur Staubaufnahme verwenden.

- Rauchende oder brennende Gegenstände (heiße Kohlen, Zigarettenkippen oder Streichhölzer).
 - Entzündliche oder brennbare Materialien (Feuerzeugflüssigkeit, Benzin oder Kerosin).
 - Giftige Materialien (Chlorbleiche, Ammoniak oder Abflusstreiner).
 - Toxische Materialien (hohe Konzentrationen von Chlorbleiche, hohe Konzentrationen von Ammoniak oder Abflusstreinerlösung).
- Verwenden Sie das Gerät **NICHT** in folgenden Bereichen:
 - Feuchte oder nasse Oberflächen.
 - Außenbereiche.
 - Bereiche, die abgeschlossen sind und möglicherweise explosive oder toxische Gase oder Dämpfe enthalten (Flüssigkeit von Feuerzeugen, Benzin, Kerosin, Lack, Farbverdünner, Mottenschutzmittel oder entflammbarer Staub).
 - In Bereichen mit einem Heizgerät.
 - In der Nähe von frei zugänglichen Kaminen oder Feuerstellen.
 - Schalten Sie den Roboterstaubsauger aus, bevor Sie ihn anpassen, reinigen oder Wartungsarbeiten durchführen bzw. Fehler beheben.
 - Lassen Sie alle Filter vollständig an der Luft trocknen, bevor Sie diese wieder in den Staubsauger einsetzen, damit keine Flüssigkeit in die elektrischen Teile gerät.
 - Versuchen Sie **NICHT**, den Saugroboter bzw. den Akku selbst zu verändern oder zu reparieren, es sei denn, der Vorgang wird in dieser Bedienanleitung beschrieben. Verwenden Sie den Staubsauger **NICHT**, wenn er verändert oder beschädigt wurde.
 - Verwenden Sie **KEINEN** Haushaltsreiniger (Allzweckreiniger, Glasreiniger, Bleiche) auf den Hochglanzflächen der Basisstation oder des Saugroboters, da die darin enthaltenen Chemikalien diese Oberflächen angreifen könnten. Verwenden Sie stattdessen ein mit Wasser befeuchtetes Tuch zur Reinigung.
 - Um das Risiko zu minimieren, dass der Roboter in unsichere Bereiche (Treppenabsätze, Kamine, Nassbereiche) fährt, definieren Sie diese Bereiche mithilfe der Kartenfunktion in der mobilen SharkClean App als sogenannte „Sperrzonen“. Aktivieren Sie nach dem Festlegen der Abgrenzung den Staubsauger und bestätigen Sie visuell, dass die Einstellungen den Roboter tatsächlich vom Überschreiten der Grenzen abhalten. Wenn nötig, passen Sie die Einstellungen an. Nutzer ohne App verwenden eine Abgrenzung, um unsicheres Terrain zu sperren.

AKKUBERBRAUCH

- Der Akku dient als Stromquelle für den Staubsauger. Lesen und befolgen Sie alle Anweisungen zum Aufladen.
- Um ein versehentliches Starten zu verhindern, stellen Sie sicher, dass der Staubsauger ausgeschaltet ist, bevor Sie ihn hochheben oder tragen. Berühren Sie beim Tragen des Geräts **NICHT** den Netzschalter.
- Verwenden Sie XDKRV2820VEEU/XDKAV2820VEEU als Austauschbasis für den SHARK® AI ROBOT SELF-EMPTY. Verwenden Sie RVBAT850 als Austauschakku.
- Halten Sie den Akku fern von allen metallischen Objekten wie Büroklammern, Münzen, Schlüsseln, Nägeln oder Schrauben. Das Kurzschließen der Akkuklemmen kann zu Bränden und Verbrennungen führen.
- Bei falscher Handhabung könnten Flüssigkeiten aus dem Akku austreten. Kontakt mit solchen Flüssigkeiten muss unbedingt vermieden werden, da er zu Reizungen und Verbrennungen führen kann. Bei Kontakt unbedingt gründlich mit Wasser abwaschen. Sollte die Flüssigkeit in die Augen geraten, suchen Sie unverzüglich einen Arzt auf.
- Der Roboterstaubsauger sollte nicht gelagert, geladen oder verwendet werden bei Temperaturen unter 10 °C oder über 40 °C. Vergewissern Sie sich, dass der Akku und der Sauger vor dem Laden oder Verwenden die Raumtemperatur erreicht haben. Wenn der Roboter oder der Akku Temperaturen ausgesetzt werden, die außerhalb dieses Bereichs liegen, kann es zu Schäden am Akku und einem erhöhten Brandrisiko kommen.
- Setzen Sie den Roboterstaubsauger **NIE** Flammen oder Temperaturen über 130 °C aus, da dies zu einer Explosion führen kann.

SPERRZONEN UND BOTBOUNDARY-STREIFEN

- Legen Sie **KEINE** BotBoundary-Streifen unter Teppiche oder Teppichböden.
- Legen Sie BotBoundary-Streifen **NICHT** übereinander.
- Verwenden Sie immer Sperrzonen oder BotBoundary-Streifen rund um reflektierende Bodenbeläge und Oberflächen.
- Sperrzonen oder BotBoundary-Streifen sollten immer in der Nähe von mit Teppich ausgelegten Treppen verwendet werden.
- Verwenden Sie **KEINE** Sperrzonen oder BotBoundary-Streifen in Umkreis von 3 Metern von der Basis.
- Damit die Abgrundsensoren Ihres Roboters einwandfrei funktionieren, muss der Abstand von Läufern, Teppichen, Teppichböden oder kleineren Hindernissen (wie Kindergitter) zur Treppe mindestens 20 cm betragen (oder sie müssen durchgehend sein und über den Treppenrand hinausgehen). Wenn ein Läufer, Teppich oder Teppichboden, der weniger als 20 cm von der Treppe entfernt ist, nicht bewegt werden kann, müssen Sie einen BotBoundary-Streifen verwenden, um die Treppe abzusperren.

BEWAHREN SIE DIESE GEBRAUCHSANWEISUNG GUT AUF.

Die aktuellsten Warnhinweise finden Sie unter www.sharkclean.com/robohelp

Bitte lesen Sie unbedingt vor dem ersten Gebrauch Ihres Saugroboters die online verfügbare Shark®-Bedienanleitung.

Shark POWERDETECT

KURZANLEITUNG

DIE SHARKCLEAN -APP HERUNTERLADEN



Scannen Sie den QR-Code mit der Kamera Ihres Smartphones, um die App schnell zu finden und herunterzuladen

ENDBENUTZER-LIZENZVEREINBARUNG FÜR DIE SOFTWARE VON SHARKNINJA

SharkClean.de/EULA

sharkclean.eu

HOLEN SIE DAS BESTE AUS IHREM SAUGROBOTER HERAUS

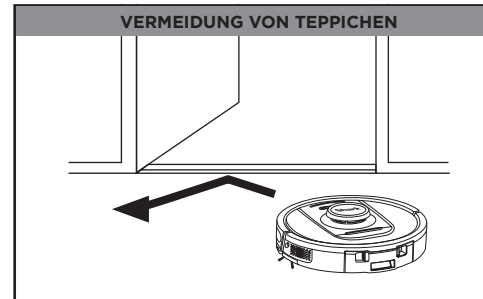
Laden Sie für ein optimales Benutzererlebnis die SharkClean-App herunter und beachten Sie die folgenden Tipps.

BEREITEN SIE IHR ZUHAUSE VOR



Dein Power Detect Saugroboter fährt nicht über Kabel. Um eine optimale Flächenabdeckung und lückenlose Reinigung zu erzielen, wird empfohlen, Kabel und Gegenstände unter 11 cm Höhe von den Böden zu entfernen. Öffne die Innentüren, um eine vollständige Kartografierung deines Wohnraums zu ermöglichen.

VERMEIDUNG VON TEPPICHEN



Dein Saugroboter kann die meisten Türschwellen bis zu einer Höhe von 2,5 cm problemlos überqueren. Sind diese jedoch höher, richte in der App eine Sperrzone ein, um sie zu ausschließen.

VERMEIDEN SIE ES, DEN SAUGROBOTER ODER DIE LADESTATION ZU BEWEGEN



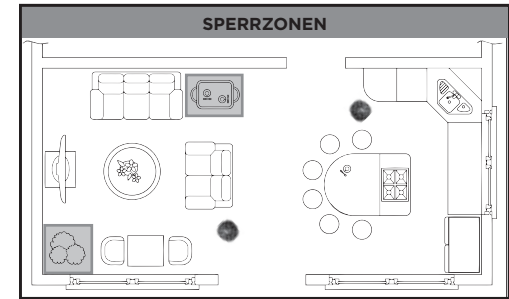
Den Saugroboter während des Reinigungslaufs nicht aufheben oder bewegen. Gleiches gilt für die Ladestation mit Selbstentleerungsfunktion – denn anderenfalls ist der Saugroboter nicht in der Lage, deinen Wohnraum zu kartieren.

ZEITPLANUNG UND INTERAKTIVE KARTE



- Richten Sie für dauerhafte Sauberkeit einen Reinigungsplan für Ihr gesamtes Zuhause in der App ein.
- Nutzen Sie die interaktive Karte Ihrer Wohnung, um die Reinigung noch individueller anzupassen.

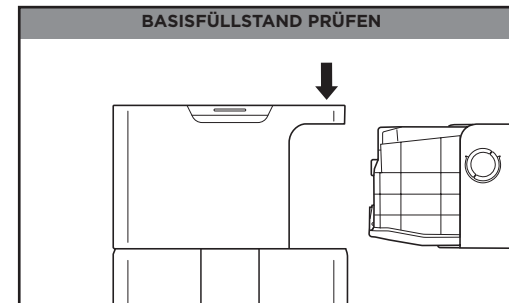
SPERRZONEN



Erstellen Sie Sperrzonen in der App, um Ihren Saugroboter von den Bereichen fernzuhalten, die Sie aussparen möchten:

- In der Nähe von Stromkabeln oder Handy-Ladegeräten
- Vor hohen Türschwellen

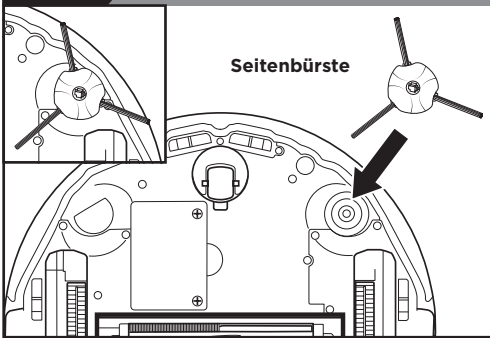
BASISFÜLLSTAND PRÜFEN



Die Basis ist so konzipiert, dass sie wochenlang Schmutz aufnehmen kann. Während der ersten Nutzung müssen Sie sie möglicherweise häufiger leeren, da der Roboter mehr Schmutz findet als normal. Überprüfen Sie den Füllstand daher regelmäßig, um sie zum angemessenen Zeitpunkt zu leeren.

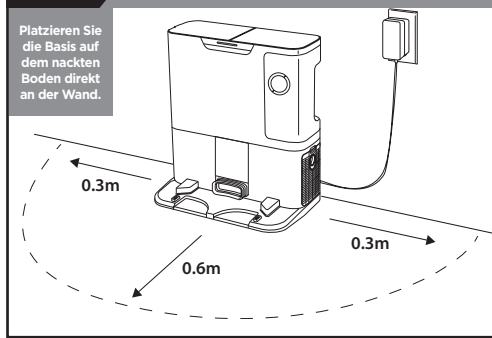
EINRICHTUNG

1. SCHRITT DEN ROBOTER VORBEREITEN



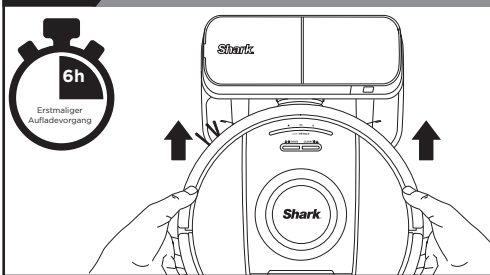
- Entfernen Sie die Schutzfolie vom Saugroboter und von der Basisstation.
- Befestigen Sie die Seitenbürste.

2. SCHRITT DIE SELBSTLEERENDE BASIS EINRICHTEN



- Finden Sie einen **dauerhaften** Standort für die Basis an zentraler Stelle mit **gutem WLAN-Signal**.
- Entfernen Sie alle Gegenstände, die weniger als 1 Meter von den Seiten der Basis oder weniger als 1,5 Meter von der Vorderseite der Basis entfernt sind.
- Schließen Sie die Basis an das Stromnetz an.

3. SCHRITT IHREN ROBOTER LADEN



- Stellen Sie den Roboter zum Laden für **6 Stunden** auf die Basis.
- Sobald der Roboter ordnungsgemäß mit der **RÜCKSEITE** gegen die Basis eingeparkt ist, leuchten das **Ladesymbol** oben rechts an der Basis sowie das **Akkusymbol** am Roboter.
- Achten Sie darauf, dass der Roboter auf der **Basis** ordnungsgemäß ausgerichtet ist.
- **ZUM EINSCHALTEN DES ROBOTERS:** Platzieren Sie den Roboter auf der Basis und halten Sie die **CLEAN**-Taste fünf bis sieben Sekunden lang gedrückt, bis die Anzeigeleuchten angehen.

Starten Sie Ihr Smartphone neu

- Schalten Sie Ihr Smartphone aus, warten Sie einige Minuten, schalten Sie es erneut ein und stellen Sie eine Verbindung zum WLAN her.

Starten Sie Ihren Saugroboter neu

- Nehmen Sie den Saugroboter von der Basisstation und halten Sie die **CLEAN (REINIGEN)**-Taste auf dem Saugroboter 12 Sekunden lang gedrückt. Schalten Sie den Saugroboter wieder ein, indem Sie ihn wieder auf die Basisstation stellen.

Starten Sie Ihren Router neu

- Ziehen Sie das Netzkabel des Routers für 30 Sekunden aus der Steckdose und stecken Sie es anschließend wieder ein. Warten Sie einige Minuten, bis Ihr Router vollständig neu gestartet ist.

4. SCHRITT APP HERUNTERLADEN

Funktionen der SharkClean-App

- ✓ Präzise Kartierung der Wohnung
- ✓ Raumauswahl
- ✓ Punktuelle Reinigung
- ✓ Sperrzonen
- ✓ Zeitplanung



Suchen Sie im App Store nach „SharkClean“ oder scannen Sie den QR-Code auf der Vorderseite, um die App herunterzuladen.

SIE KÖNNEN KEINE VERBINDUNG ZUM WLAN HERSTELLEN?



Haben Sie Fragen? Einfache Schritte, sollten Sie nicht weiterkommen:

Probleme beim Verbinden mit dem Roboter? Für FAQs, Anleitungsvideos, Problemlösungen, Tipps und Tricks besuchen Sie: sharkclean.eu.

Um die vollständige Anleitung anzuzeigen, gehen Sie zu: qr.sharkclean.com/RV2820EU oder **SCANNEN SIE DEN CODE MIT IHRER SMARTPHONE-KAMERA**

- Um die App nutzen zu können, muss Ihr Telefon mit einem 2,4-GHz-Netzwerk verbunden sein. Die App funktioniert nicht in einem 5-GHz-Netzwerk.
- Verwenden Sie **KEIN** VPN und keinen Proxy-Server.
- Stellen Sie sicher, dass die **WLAN-Isolation** am Router ausgeschaltet ist.

VOR DER REINIGUNG

Während des Erkundungslaufs wird der Saugroboter in Ihrer Wohnung umherfahren, während er eine Karte erstellt.

Nach diesem Lauf können Sie in den Bereichen Ihrer Wohnung, die Ihr Saugroboter beim Wischen umgehen soll, Teppichzonen einrichten. Wenn Sie keine Teppichzonen einrichten möchten bzw. keine Teppiche oder Vorleger in Ihrer Wohnung haben, können Sie diesen Schritt überspringen.

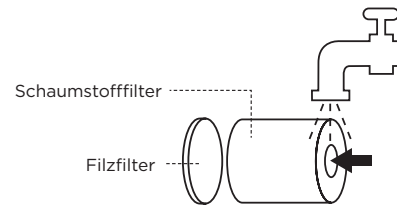
Jetzt sind Sie bereit für die Reinigung.



REINIGEN DER FILTER DES ROBOTERS

WICHTIG - Reinigen Sie die Filter jeden Monat, andernfalls ist ein Verlust der Saugkraft möglich.

Spülen Sie ihn aus und lassen Sie ihn an der Luft trocknen. Gegebenenfalls klopfen Sie zusätzlich zwischen den einzelnen Reinigungen den losen Schmutz einfach vom Filter.



Schaumstofffilter erscheinen meist schmutzig nach dem Gebrauch – das ist normal.



Stecken Sie Ihre Finger **NICHT** in Öffnungen, die nicht für den Benutzerzugriff vorgesehen sind.

ZWEI (2) JAHRE BESCHRÄNKTE GARANTIE FÜR RV2820VEEU/AV2820VEEUWH

Wenn Sie als Verbraucher ein Produkt in Deutschland kaufen, erhalten Sie automatisch Ihre gesetzlichen Gewährleistungsrechte hinsichtlich der Mangelfreiheit des jeweiligen Produktes. Sie können diese gesetzlichen Rechte Ihrem Einzelhändler, bei dem Sie das Produkt erworben haben, gegenüber geltend machen oder uns gegenüber, sofern Sie das Produkt direkt bei Shark erworben haben. Die Inanspruchnahme dieser gesetzlichen Rechte ist unentgeltlich.

Allerdings haben wir bei Shark so großes Vertrauen in die Qualität unserer Produkte, dass wir Ihnen eine zusätzliche Herstellergarantie von zwei (2) Jahren bieten. Diese Garantie schränkt Ihre gesetzlichen Rechte aus dem Kaufvertrag mit dem Einzelhändler, bei dem Sie das Produkt erworben haben, oder die Verpflichtungen Ihres Einzelhändlers aus dem Kaufvertrag mit ihm nicht ein. Das gilt auch gegenüber uns, wenn Sie das Produkt direkt von Shark erworben haben.

Nachfolgend werden die Bedingungen und der Umfang unserer Herstellergarantie beschrieben, die SharkNinja Germany SharkNinja Germany GmbH, Rotfeder-Ring 9, 60327 Frankfurt am Main, Germany.

sharkclean.eu.

Shark®-Garantie

Ein Haushaltsgerät bedeutet eine beträchtliche Investition. Ihr neues Gerät sollte daher so lange wie möglich funktionieren. Die Garantie spielt dabei eine wichtige Rolle und spiegelt wider, wie viel Vertrauen der Hersteller in sein Produkt und die Herstellungsqualität hat.

Wie lang ist die Garantie auf unsere Produkte?

Da wir großes Vertrauen in unser Design und die Qualitätskontrolle setzen, ist die Garantie für Ihr Produkt für eine Dauer von zwei (2) Jahren ab dem Kaufdatum gültig.

Wo ist die Garantie räumlich gültig?

Bitte beachten Sie, dass die zwei-Jahres-Garantie für alle Produkte Geltung hat, die bei einem Händler (online und offline) mit Sitz in der EU gekauft wurden.

Wie mache ich die Garantie geltend?

Wenden Sie sich hierzu bitte an unseren Kundendienst. Unsere Kundendienst-Helpline (0800 000 9063) ist von Montag bis Freitag von 9.00 bis 18.00 Uhr für Sie da. Der Anruf ist kostenlos, und Sie werden sofort zu einem Mitarbeiter von uns durchgestellt. Halten Sie hierzu auch bitte Ihren Kaufbeleg bereit. Bitte bewahren Sie den Kaufbeleg immer auf. Wenn ein Garantiefall eintritt, brauchen wir den Kaufbeleg, um zu prüfen, ob die Informationen, die Sie uns gegeben haben, korrekt sind. Wenn Sie keinen gültigen Kaufbeleg vorlegen können, verlieren Sie dadurch Ihren Garantieanspruch.

Sie können unserem Kundendienst auch eine E-Mail an kundendienst-de@sharkninja.com schicken. Bitte fügen Sie auch hier eine Kopie Ihres Kaufbeleges bei und schildern Sie uns Ihren Garantiefall so detailliert wie möglich.

Wenn Sie uns mit einem Garantieanspruch kontaktieren, werden wir in erster Linie entsprechende Fehlerbehebungsmaßnahmen mit Ihnen durchführen und, je nach Ergebnis, den weiteren Verlauf mit Ihnen besprechen. In den meisten Fällen werden wir Ihnen Ersatzteile schicken oder Ihr Gerät komplett ersetzen, falls der Fehler nicht mit einem Ersatzteil gelöst werden kann.

Sie erhalten auch Online-Unterstützung unter www.sharkclean.eu.

Wie registriere ich meine Garantie?

Sie können Ihre Garantie innerhalb von 28 Tagen ab dem Kaufdatum online registrieren.

Um Zeit zu sparen, halten Sie bitte die folgenden Informationen zu Ihrem Gerät bereit:

- Modellnummer
- Seriennummer (falls verfügbar)
- Kaufdatum des Produkts (Kauf- oder Lieferbeleg)

Um sich zu registrieren, besuchen Sie bitte www.sharkclean.eu.

Welche Vorteile habe ich von der Registrierung meiner Garantie?

Die Registrierung der Garantie ist keine Voraussetzung für deren Geltendmachung. Wenn Sie Ihre Garantie aber registrieren, können Sie auch unseren Newsletter mit Tipps, Ratschlägen und Gewinnspielen abonnieren. Über den Newsletter erhalten Sie aktuelle Nachrichten zu neuen Technologien und Produkten von Shark. Wenn Sie Ihre Garantie online registrieren, erhalten Sie sofort eine Bestätigung, dass Ihre Daten bei uns eingegangen sind.

Details zu unserer Datenschutzrichtlinie finden Sie unter www.sharkclean.eu.

Was wird durch die Garantie abgedeckt?

Reparatur oder Ersatz Ihres Produkts (nach Wahl von uns), einschließlich aller Teile und der Arbeitszeit bei Konstruktions-, Material- und Verarbeitungsfehlern (inklusive Transport- und Versandkosten).

Was wird durch die Garantien nicht abgedeckt?

- Normaler Verschleiß.
- Versehentliche Beschädigungen, Fehler, verursacht durch fahrlässigen Gebrauch oder nachlässige Pflege, Fehlbedienung, Vernachlässigung, achtlose oder unsachgemäße Handhabung des Produkts, die nicht in Übereinstimmung mit den Anweisungen in der mitgelieferten Bedienungsanleitung von Shark® zu Ihrem Gerät erfolgt.
- Gebrauch des Produkts zu anderen Zwecken als dem normalen Gebrauch im Haushalt.
- Der Gebrauch von Teilen, die nicht in Übereinstimmung mit den Anweisungen in der Bedienungsanleitung montiert oder installiert wurden.
- Verwendung von Teilen und Zubehör, die keine Originalkomponenten von Shark® sind.
- Fehlerhafte Installation (außer, wenn die Installation von Shark durchgeführt wurde).
- Wenn Reparaturen oder Änderungen, die nicht von Shark und seinen Handelsvertretern oder Vertragshändlern, sondern von Dritten durchgeführt wurden, es sei denn, Sie können nachweisen, dass die Reparaturen oder Änderungen, die von anderen durchgeführt wurden, nicht mit dem Mangel zusammenhängen, für den Sie die erweiterte Garantie ausüben.

Was geschieht, wenn meine Garantie ausläuft?

Shark stellt keine Geräte her, die nur für eine begrenzte Zeit funktionieren. Wir wissen es zu schätzen, wenn Kunden ihr Produkt auch nach Ablauf der Garantiefrist reparieren lassen möchten. Bitte kontaktieren Sie in diesem Falle unsere Kundendienst-Helpline unter der Rufnummer 0800 000 9063, und fragen Sie nach unserem Kundenprogramm für abgelaufene Garantien.

Wo kann ich Originalersatzteile und Originalzubehör von Shark kaufen?

Ersatzteile und Zubehör von Shark werden von denselben Ingenieuren entwickelt, die auch Ihr Shark entwickelt haben. Die vollständige Palette der Ersatz- und Zubehörteile von Shark für alle Shark-Geräte finden Sie unter www.sharkclean.eu.

BITTE AUFMERKSAM DURCHLESEN UND ZUR INFORMATION AUFBEWAHREN.

Diese Anweisungen helfen Ihnen dabei, Ihren Shark Matrix Robot mit maximaler Leistung zu verwenden.

SharkNinja Europe Limited,
3150 Century Way,
Thorpe Park,
Leeds,
LS15 8ZB

SharkNinja Germany GmbH,
Rotfeder-Ring 9,
60327 Frankfurt am Main, Germany
sharkclean.eu

Die Abbildungen können vom tatsächlichen Produkt abweichen. Im ständigen Bemühen um die fortlaufende Verbesserung unserer Produkte behalten wir uns Änderungen der hierin enthaltenen Spezifikationen ohne Ankündigung vor.

INSTRUCCIONES DE SEGURIDAD IMPORTANTES

LEER ATENTAMENTE ANTES DEL USO • PARA USO EXCLUSIVAMENTE DOMÉSTICO

⚠️ ADVERTENCIA

Para reducir el riesgo de incendio, descarga eléctrica, lesiones o daños materiales, sigue estas instrucciones:

NO DEJES A LOS NIÑOS O ANIMALES SIN VIGILANCIA EN UNA HABITACIÓN A LA QUE TENGA ACCESO EL ROBOT ASPIRADOR CUANDO ESTÁ LIMPIANDO.


ADVERTENCIA SOBRE EL LÁSER

ESTE PRODUCTO TIENE UN LÁSER DE CLASE 1. DESCONECTA SIEMPRE EL ROBOT ASPIRADOR ANTES DE LEVANTARLO O DE LLEVAR A CABO CUALQUIER TAREA DE MANTENIMIENTO. NO MIRES DIRECTAMENTE AL LÁSER.

SI EL CABEZAL DE CARGA NO ENCAJA EN EL ENCHUFE, CONTACTA CON UN ELECTRICISTA CUALIFICADO. NO LO FUERCES EN LA TOMA DE CORRIENTE NI TRATES DE MODIFICARLO PARA QUE ENCAJE.

ADVERTENCIAS GENERALES

El uso de aparatos eléctricos hace conveniente tomar en todo momento precauciones básicas, incluidas las siguientes:

- Este producto consiste en un robot aspirador y una base de carga con fuente de alimentación. Estos componentes contienen conexiones eléctricas, cableado eléctrico y piezas móviles que constituyen un riesgo para el usuario.
- Antes de usar el producto, inspecciona minuciosamente todas las piezas por si presentasen daños. Si alguna pieza está dañada, no sigas utilizando el producto.
- Utiliza exclusivamente recambios idénticos. Consulta la página de accesorios y recambios de esta guía.
- Este robot aspirador no contiene ninguna pieza reparable.
- Utiliza el producto exclusivamente como se indica en este manual. **NO** utilices el robot aspirador para fines que no sean los que se describen en este manual.
- No exponer ninguna parte del robot aspirador de suelos al agua ni a otros líquidos.
-  **NO metas las manos en ninguna abertura de la base ni del robot.**

ADVERTENCIAS DE USO

- Este producto tiene un láser de clase 1. Desconecta siempre el robot aspirador antes de levantarlo o de llevar a cabo cualquier tarea de mantenimiento.
- NO** mires directamente al láser.
- Apaga siempre el robot aspirador antes de insertar o extraer el filtro o el depósito de polvo.
- NO** manipules el enchufe, la base de carga, el cargador ni el robot aspirador con las manos mojadas. Los niños no deben realizar la limpieza y el mantenimiento sin supervisión.
- Los niños **NO** deben jugar con este producto.
- Este producto pueden utilizarlo menores a partir de ocho años de edad; personas en situación de discapacidad física, sensorial o intelectual; o personas que carezcan de experiencia y conocimientos, siempre que lo hagan bajo supervisión o hayan recibido instrucciones para utilizar el producto en condiciones de

seguridad y entiendan los riesgos asociados.

- NO** utilices el robot aspirador sin haber colocado antes el depósito de polvo, polvo y el filtro en su sitio.
- NO** causes daños en el cable de carga:
 - NO** tires del cable para desplazar la base de carga ni lo utilices como mango.
 - NO** tires del cable para desconectar el producto. Agarra el enchufe, no el cable.
 - NO** cierres una puerta con el cable entre medias, no tires del cable sobre bordes afilados ni lo dejes sobre superficies calientes.
 - El cable de alimentación **NO** se puede cambiar. Si el cable está dañado, el producto debe desecharse.
- NO** introduces ningún objeto en las aberturas del cabezal o de los accesorios. **NO** utilices el producto si hay alguna abertura obstruida; mantén las aberturas libres de polvo, pelusa, cabellos y todo lo que pueda reducir el flujo de aire.
- NO** utilices el robot aspirador si el flujo de aire es escaso. Si los conductos de aire están obstruidos, apaga la aspiradora y retira cualquier obstrucción antes de volver a encender la unidad.
- Mantén el cabezal y todas las aberturas de la aspiradora alejados del cabello, la cara, los dedos, los pies descalzos y la ropa suelta.
- NO** utilices el robot aspirador si no funciona correctamente, o si se ha caído, ha sufrido daños, se ha dejado a la intemperie o se ha sumergido en agua.
- NO** pongas la aspiradora sobre superficies inestables.
- NO** lo uses para recoger:
 - Líquidos.
 - Objetos grandes.
 - Objetos duros o afilados (vidrio, clavos, tornillos o monedas).
 - Grandes cantidades de polvo (polvo de yeso, cenizas de chimeneas o brasas).
 - NO** lo utilices como accesorio de herramientas eléctricas para la recolección de polvo.
 - Objetos humeantes o ardientes (carbón caliente, colillas de cigarrillos o cerillas).
 - Materiales inflamables o combustibles (líquido

para mecheros, gasolina o queroseno).

- Materiales tóxicos (lejía, amoniaco o limpiatuberías).
 - Materiales tóxicos (altas concentraciones de lejía, altas concentraciones de amoniaco o solución limpiatuberías).
- NO** lo uses en las siguientes áreas:
 - Áreas al aire libre cerca de chimeneas con accesos abiertos.
 - Espacios cerrados que puedan contener gases o vapores explosivos o tóxicos (líquido para macheros, gasolina, queroseno, pintura, disolventes de pintura, sustancias antipolillas o polvo inflamable).
 - En un área con un calentador.
 - Cerca de chimeneas con accesos abiertos.
 - Apaga el robot aspirador antes de realizar cualquier tarea de ajuste, limpieza, mantenimiento o resolución de problemas. Advertencia: en la posición OFF (O) de apagado, el robot aún sigue consumiendo una pequeña cantidad de electricidad.
 - Deja que todos los filtros se sequen completamente al aire antes de volver a instalarlos para evitar que entre líquido en los componentes eléctricos.
 - NO** alteres ni intentes reparar el robot aspirador ni la batería tú mismo, a excepción de las indicaciones que aparecen en esta guía del usuario. **NO** utilices la aspiradora si se ha alterado o dañado.
 - NO** uses limpiadores domésticos (detergentes multiusos, limpiacristales, lejía) en ninguna de las superficies pulidas de alto brillo de la estación de acoplamiento ni del robot aspirador, ya que contienen sustancias químicas que pueden dañarlas. En su lugar, usa un paño humedecido con agua para limpiarlas suavemente.
 - Para minimizar el riesgo de que el robot se desplace más allá de una zona peligrosa (bordes de escaleras, desniveles, chimeneas, zonas con agua), establece estas áreas como "Zonas restringidas" utilizando la función de mapeo en la aplicación móvil SharkClean. Al establecer límites, pon la aspiradora a funcionar y confirma visualmente que los ajustes evitan de manera efectiva que el robot vaya más allá de los límites establecidos. Ajusta la configuración según sea necesario. Para los usuarios que no utilizan la aplicación, recomendamos usar una barrera física para bloquear las zonas peligrosas.

USO DE LA BATERÍA

- Esta aspiradora recibe alimentación por medio de la batería. Lee y sigue cuidadosamente todas las instrucciones de carga.
- Para evitar que la aspiradora se ponga en marcha accidentalmente, asegúrate de que esté apagada antes de cogerla o transportarla. **NO** transportes el producto con el dedo sobre el interruptor.
- Utiliza SOLAMENTE la base de carga Shark® XDKRV2820VEEU/XDKAV2820VEEU y la batería RVBAT850A. El uso de otras baterías u otros cargadores de baterías puede suponer un riesgo de lesiones e incendio.
- Mantén la batería alejada de objetos metálicos como clips, monedas, llaves, clavos o tornillos. El cortocircuito de los terminales de la batería aumenta el riesgo de incendio o quemaduras.
- En caso de uso abusivo, la batería puede expulsar líquidos. Evita el contacto con el líquido, ya que puede provocar irritaciones o quemaduras. Si se produce contacto, enjuágate con agua. Si el líquido entra en contacto con los ojos, busca ayuda médica.
- No debes almacenar, cargar ni utilizar el robot aspirador a temperaturas inferiores a 10 °C ni superiores a 40 °C. Asegúrate de que la batería y la aspiradora hayan alcanzado la temperatura ambiente antes de cargarla o utilizarla. Exponer el robot o la batería a temperaturas que no estén comprendidas dentro del rango especificado podría dañar la batería y aumentar el riesgo de incendio.
- NO** expongas el robot aspirador ni la batería al fuego ni a temperaturas superiores a 130 °C, ya que podrían explotar.

ZONAS RESTRINGIDAS Y CINTAS BOTBOUNDARY

- NO** coloques cintas BotBoundary bajo alfombras o moquetas.
- NO** coloques cintas BotBoundary encima de otras.
- Configura siempre zonas restringidas o usa cintas BotBoundary alrededor de suelos y superficies reflectantes.
- Se deben usar siempre zonas restringidas o cintas BotBoundary cerca de escaleras enmoquetadas.
- NO** utilices zonas restringidas o cintas BotBoundary a menos de 3 m de la base de carga.
- Para que los sensores de desnivel del robot funcionen correctamente, todas las pasilleras, alfombras, moquetas o pequeños umbrales (como barreras infantiles) deben estar al menos a 20 cm de cualquier escalera (o extenderse más allá del borde de las escaleras). Si una pasillera, alfombra, moqueta o pequeño umbral está a menos de 20 cm de las escaleras y no se puede mover, debes usar una zona restringida o una cinta BotBoundary para bloquear las escaleras.

GUARDA ESTAS INSTRUCCIONES

Para conocer las advertencias y precauciones más recientes, visita www.sharkclean.eu/robothelp

Shark POWERDETECT

GUÍA DE INICIO RÁPIDO

DESCARGA LA APLICACIÓN SHARKCLEAN



Escanea el código QR con la cámara de tu teléfono para buscar y descargar rápidamente la aplicación.

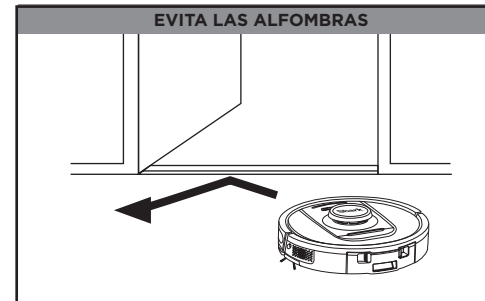
ACUERDO DE LICENCIA DE USUARIO FINAL DEL SOFTWARE DE SHARKNINJA

APROVECHA AL MÁXIMO TU ROBOT

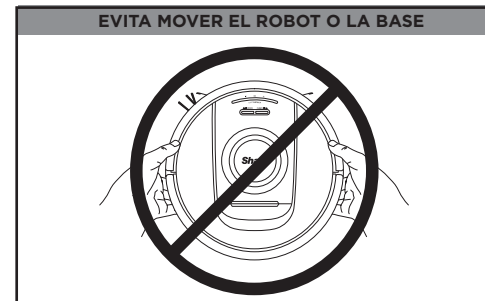
Para sacarle todo el partido a tu robot, descarga la aplicación SharkClean y sigue estos consejos.



Tu robot aspirador con Power Detect evita los cables, pero lo ideal es retirar del suelo los cables y los objetos con altura inferior a 11 cm para facilitar una cobertura y una limpieza óptimas. Para que el mapa abarque toda la casa, deberás dejar abiertas las puertas interiores.



Tu robot aspirador puede saltar por encima de la mayoría de los dinteles para pasar de una habitación a otra, pero si alguno tiene una altura superior a 2,5 cm, deberás configurar una zona de exclusión en la aplicación para impedir el acceso.



Cuando el robot aspirador esté limpiando, no lo levantes ni lo cambies de sitio, ni tampoco cambies de sitio la base de autovaciado, ya que el robot no podrá trazar el mapa de tu hogar.

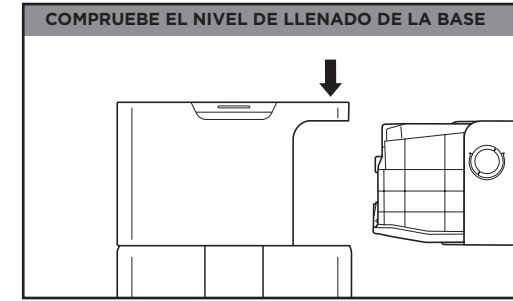


- Para evitar que aparezca la suciedad, configura un horario para limpiar toda la casa.
- Utiliza el mapa interactivo de la casa para personalizar aún más la limpieza.



Creas zonas restringidas en la aplicación para que tu robot no se desplace a las áreas que quieras evitar:

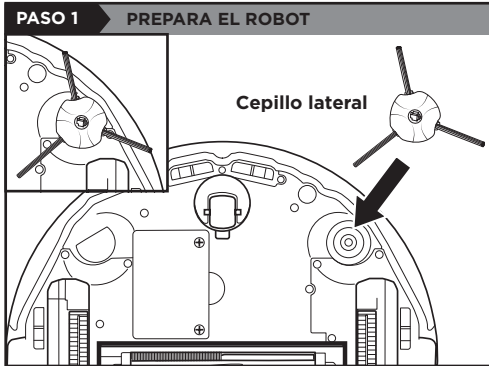
- Cerca de cables o cargadores de teléfono.
- Delante de bordes altos.



La base está diseñada para aguantar semanas de desechos. Cuando empieces a usarlo, es posible que debas vaciarlo con más frecuencia porque encontrarás más suciedad/residuos de lo habitual. Comprueba el nivel de llenado con regularidad para saber cuándo vaciar el depósito.

INSTALACIÓN

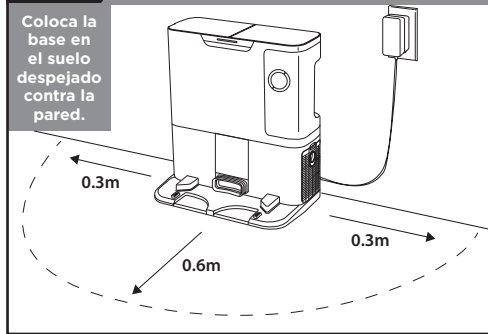
PASO 1 PREPARA EL ROBOT



- Retira el film protector del robot y de la base de carga.
- Coloca los cepillos laterales.

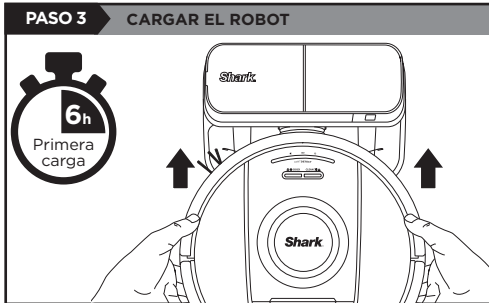
PASO 2 CONFIGURAR LA BASE DE VACIADO AUTOMÁTICO


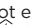
Coloca la base en el suelo despejado contra la pared.



- Busca una ubicación **permanente** para la base, en una zona céntrica con **buena señal wifi**.
- Retira cualquier objeto que esté a una distancia inferior a 1 m de los laterales o inferior a 1,5 m de la parte delantera de la base.
- Enchufa la base.

PASO 3 CARGAR EL ROBOT



- Coloca el robot en la base para cargarlo durante **6 horas**.
- Cuando el robot esté correctamente alineado con la **PARTE POSTERIOR** contra la base, el **ícono de carga** en el lado superior derecho de la base y el icono de la batería  en el robot se iluminarán.
- Asegúrate de que el robot esté correctamente alineado con la **base**.
- **PARA ENCENDER EL ROBOT:** coloca el robot en la base o mantén presionado el botón **CLEAN**  de 5 a 7 segundos hasta que los indicadores luminosos se enciendan.

Reinicia tu teléfono

- Apaga el teléfono, espera unos minutos y vuelve a encenderlo para conectarlo a la wifi.

Reinicia tu robot

- Retira el robot de la base y mantén presionado el botón **CLEAN** (LIMPIAR) del robot durante 12 segundos. Vuelve a encender tu robot colocándolo en la base.

Reinicia tu router

- Desenchufa el cable de alimentación del router durante 30 segundos y luego vuelve a enchufarlo. Espera unos minutos hasta que tu rúter se reinicie completamente.

PASO 4 DESCARGA LA APLICACIÓN

Funciones de la aplicación SharkClean

- ✓ Mapeo preciso del hogar
- ✓ Selección de habitación
- ✓ Limpieza localizada
- ✓ Zonas restringidas
- ✓ Programación



Busca "SharkClean" en App Store o escanea el código QR de la portada de esta guía para descargar la aplicación.

¿NO PUEDES CONECTARLO A LA WIFI?



¿Alguna pregunta? Pasos fáciles por si se atasca: ¿Tiene problemas con la conexión de su robot? Para ver vídeos, preguntas frecuentes, consejos y trucos visita: sharkclean.eu. para obtener un folleto de instrucciones completo visita: qr.sharkclean.com/

RV2820EU o ESCANEE ESTE CÓDIGO CON LA CÁMARA DE SU SMARTPHONE

- Para usar la aplicación, tu teléfono debe estar conectado a una red de 2,4 GHz. La aplicación no funcionará en una red de 5 GHz.
- **NO** utilices una VPN ni un servidor proxy.
- Asegúrate de que el aislamiento wifi del router esté apagado.

ANTES DE LIMPIAR

Durante el recorrido de exploración, el robot se desplazará por tu casa mientras crea un mapa.

Una vez finalizado el recorrido, puedes crear zonas de alfombras en las áreas de tu casa que quieres que el robot evite al fregar. Si no quieres configurar zonas de alfombras o no tienes moquetas ni alfombras en tu casa, puedes omitir este paso.

Ya tienes todo listo para limpiar.

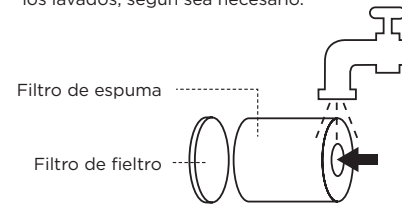
MAPA INTERACTIVO CON ZONAS DE ALFOMBRAS



LIMPIEZA DEL FILTRO DEL ROBOT

IMPORTANTE: Limpia el filtro cada mes o puede producirse una pérdida de succión.

Enjuágalo y déjalo secar por completo. También da golpecitos para eliminar la suciedad del filtro entre los lavados, según sea necesario.



Puede parecer que los filtros de espuma están sucios después de usarse; esto es normal.



NO pongas las manos en ninguna abertura que no esté definida para el acceso del usuario.

GARANTÍA LIMITADA DE DOS (2) AÑOS RV2820VEEU/AV2820VEEUWH

Cuando una persona adquiere un producto en el España, está amparada por derechos legales en lo que respecta a la calidad de dicho producto. Puedes hacer valer esos derechos ante tu proveedor. Sin embargo, en Shark® estamos tan seguros de la calidad de nuestros productos que damos al propietario del producto una garantía del fabricante de dos años. Estos términos y condiciones se aplican solamente a la garantía del fabricante; tus derechos legales no se verán afectados.

A continuación, se detallan los requisitos previos y el alcance de nuestra garantía. Dichas condiciones no afectan a tus derechos legales, a las obligaciones de tu proveedor ni a los acuerdos que hayas estipulado con él.

Garantías de Shark®

Adquirir un robot aspirador supone una inversión considerable. El nuevo aparato debe funcionar correctamente el mayor tiempo posible.

La garantía que lo acompaña es un compromiso importante y refleja el grado de confianza del fabricante en la calidad de sus productos.

Todos los aparatos Shark® están respaldados por una garantía gratuita contra defectos de materiales o mano de obra. Nuestro servicio de asistencia telefónica (900 839 453) está operativo de lunes a viernes, de 09:00 a 18:00 h. La llamada es gratuita y te permitirá ponerte en contacto directo con un representante de Shark®. También puedes obtener asistencia en línea en www.sharkclean.eu

¿Cómo debo registrar mi garantía ampliada Shark®?

Puedes registrar tu garantía en línea en un plazo de 28 días a partir de la fecha de compra. Para ahorrar tiempo, te informamos de que necesitarás los siguientes datos de tu máquina:

- Fecha de compra (factura, recibo o albarán).

Para registrarte en línea, visita www.Sharkclean.eu/uk/register-guarantee. Los productos adquiridos directamente a Shark® se registran Automáticamente

¿Qué cubre la garantía gratuita Shark®?

Reparación o sustitución de tu producto Shark® (a discreción del fabricante), incluyendo todas las piezas y la mano de obra. La garantía Shark® es adicional a tus derechos legales como consumidor.

¿Cuáles son los beneficios de registrar mi garantía gratuita Shark®?

Al registrarte, nos permites disponer de tus datos por si necesitamos contactar contigo. Si aceptas que te enviemos comunicaciones, también puedes recibir consejos para optimizar el uso de tu robot aspirador Shark® e información sobre nuevos lanzamientos y tecnologías Shark®.

Si registras tu garantía en línea, recibirás inmediatamente la confirmación de que hemos recibido tus datos.

¿Cuánto duran las garantías de los productos nuevos de Shark®?

Nuestra confianza en nuestro diseño y control de calidad significa que tu nuevo robot aspirador Shark® está garantizado por un total de dos años.

¿Dónde puedo adquirir recambios y accesorios originales Shark®?

Los recambios y accesorios Shark® están diseñados por los mismos ingenieros que desarrollan tu robot aspirador Shark®. Encontrarás una gama completa de recambios, piezas de repuesto y accesorios para todos productos de Shark® en www.sharkclean.eu.

Recuerda que la garantía no cubre los daños causados por el uso de recambios que no sean de Shark®.

¿Qué aspectos no cubre la garantía gratuita Shark®?

1. El desgaste normal de las piezas que requieren un mantenimiento o una sustitución regulares para garantizar el correcto funcionamiento de tu unidad no está cubierto por esta garantía. Las piezas de recambio están disponibles para su compra en www.sharkclean.eu.
2. Cualquier unidad que haya sido manipulada o utilizada con fines comerciales.

3. Daños accidentales y fallos debidos a uso o mantenimiento incorrecto, descuido, maniobras imprudentes o manipulación del robot aspirador que no respete lo indicado en este folleto de instrucciones de Shark® suministrado con el aparato.
4. Montaje de componentes o accesorios en contradicción con estas instrucciones.
5. Instalación incorrecta (salvo que la haya efectuado Shark®).
6. Reparaciones o modificaciones realizadas por personas ajenas a Shark® o sus representantes.

LEE ESTE DOCUMENTO CON ATENCIÓN Y GUÁRDALO PARA FUTURAS CONSULTAS.

Estas instrucciones se han diseñado para ayudarte a mantener la autonomía óptima de tu robot Shark.

SharkNinja Europe Limited,
3150 Century Way,
Thorpe Park,
Leeds,
LS15 8ZB

SharkNinja Germany GmbH,
Rotfeder-Ring 9,
60327 Frankfurt am Main, Germany
sharkclean.eu

Las ilustraciones pueden variar con respecto al producto. Nos esforzamos continuamente por mejorar nuestros productos. Por lo tanto, las especificaciones incluidas en la presente guía están sujetas a cambio sin aviso previo.

CONSIGNES DE SÉCURITÉ IMPORTANTES

VEUILLEZ LIRE ATTENTIVEMENT AVANT UTILISATION • DESTINÉ À UN USAGE DOMESTIQUE UNIQUEMENT

AVERTISSEMENT

Afin de réduire les risques d'incendie, de chocs électriques, de blessures ou de dommages matériels :

NE LAISSEZ PAS DES ENFANTS OU DES ANIMAUX SANS SURVEILLANCE DANS LES PIÈCES AUXQUELLES L'ASPIRATEUR ROBOT A ACCÈS PENDANT LE NETTOYAGE.

AVERTISSEMENT LASER

CE PRODUIT POSSÈDE UN LASER DE CLASSE 1. IL EST SANS DANGER DÈS LORS QU'IL EST UTILISÉ DANS DES CONDITIONS RAISONNABLEMENT PRÉVISIBLES (TELLES QUE DÉFINIES DANS CETTE NOTICE D'UTILISATION). VEUILLEZ À TOUJOURS COUPER L'ALIMENTATION AVANT DE SOULEVER L'ASPIRATEUR ROBOT OU D'EFFECTUER UNE OPÉRATION D'ENTRETIEN. VEUILLEZ À NE PAS REGARDER LE LASER DIRECTEMENT.

SI LA FICHE DU CÂBLE DE CHARGE N'ENTRE PAS ENTIÈREMENT DANS LA PRISE ÉLECTRIQUE, CONTACTEZ UN ÉLECTRICIEN QUALIFIÉ. VEUILLEZ À NE PAS FORCER SUR LA PRISE ÉLECTRIQUE OU ESSAYER DE LA MODIFIER POUR QUE LA FICHE ENTRE.

AVERTISSEMENTS GÉNÉRAUX

Lors de l'utilisation d'un appareil électrique, il faut toujours prendre quelques simples précautions et respecter les consignes de sécurité qui suivent :

- Cet appareil se compose d'un robot et d'une station de charge avec alimentation électrique. Ces composants contiennent des branchements électriques, un câblage électrique et des pièces mobiles pouvant exposer l'utilisateur à des risques.
- Avant chaque utilisation, vérifiez soigneusement qu'aucune pièce n'est endommagée. Si une pièce est endommagée, cessez d'utiliser l'appareil.
- Utilisez uniquement des pièces de rechange identiques aux pièces originales. Veuillez consulter la page relative aux pièces de rechange dans le présent manuel.
- Cet robot ne comporte aucune pièce réparable.
- Utilisez l'appareil exclusivement comme décrit dans le présent manuel. Veillez à NE PAS utiliser robot à des fins autres que celles décrites dans le présent manuel.
- À l'exception des filtres, des réservoirs à poussière et des tampons, veillez à NE PAS exposer les pièces de robot à de l'eau ou à d'autres liquides.
- Veillez à NE PAS insérer les mains dans les ouvertures de la station ou du robot.**



AVERTISSEMENTS D'UTILISATION

- Ce produit possède un laser de classe 1. Il est sans danger si utilisé dans des conditions raisonnablement prévisibles (telles que définies dans ce manuel de l'utilisateur). Veillez à toujours couper l'alimentation avant de soulever l'aspirateur robot ou d'effectuer une opération d'entretien.
- NE PAS** regarder le laser directement.
- Éteignez toujours l'aspirateur robot avant d'insérer ou de retirer le filtre, le réservoir à poussière ou le réservoir à liquide.
- Veillez à NE PAS tenir la prise, la station de charge, le câble de charge ou robot avec les mains mouillées. Le nettoyage et l'entretien par l'utilisateur ne doivent pas être effectués par des enfants sans surveillance.

- Les enfants **NE DOIVENT PAS** jouer avec l'appareil.
- Cet appareil peut être utilisé par des enfants âgés de 8 ans et plus, ainsi que par des personnes dont les capacités mentales, sensorielles ou physiques sont réduites, ou présentant un manque d'expérience et de connaissances, à condition qu'ils soient surveillés ou aient reçu des consignes sur la manière d'utiliser l'appareil en toute sécurité, et qu'ils comprennent les risques liés à son utilisation.
- Veillez à **NE PAS** utiliser le robot sans mettre en place le réservoir à poussière, le filtre et le réservoir à liquide.
- Veillez à **NE PAS** endommager le câble de charge :
 - NE PAS** tirer ou porter la station de charge par le câble ou utiliser le câble comme poignée.
 - NE PAS** débrancher l'appareil en tirant sur le câble. Débranchez-le en tirant sur la prise et non le câble.
 - NE PAS** coincer le câble dans une porte, ne pas le faire passer sur des arêtes tranchantes ou des angles vifs et ne pas le laisser à proximité de surfaces chaudes.
 - Le cordon d'alimentation ne peut être remplacé. Si le cordon est endommagé, l'appareil doit être mis au rebut.
- Veillez à **NE PAS** introduire d'objets dans la brosse ou dans les ouvertures des accessoires. Veillez à **NE PAS** utiliser l'appareil si une ouverture est bouchée ; enlevez la poussière, les peluches, les poils et tout ce qui peut gêner le flux d'air.
- Veillez à **NE PAS** utiliser l'appareil si le flux d'air dans robot est restreint. Si le passage de l'air est bloqué, éteignez l'aspirateur et retirez toute obstruction avant de le rallumer.
- N'approchez pas la brosse et toutes les ouvertures de l'aspirateur des cheveux, du visage, des doigts, de pieds nus ou de vêtements amples.
- Veillez à NE PAS utiliser robot s'il ne fonctionne pas correctement, s'il est tombé par terre ou dans de l'eau, s'il a été endommagé ou encore s'il a été laissé à l'extérieur.
- Veillez à **NE PAS** poser l'aspirateur sur des surfaces instables.

- NE PAS** utiliser pour aspirer :
 - Des liquides ;
 - De gros objets ;
 - Des objets durs ou tranchants (comme du verre, des clous, des vis ou des pièces de monnaie) ;
 - De grosses quantités de poussière (poussière de plâtre, cendres, braises) ;
 - NE PAS utiliser l'appareil comme accessoire pour alimenter des outils destinés à la collecte de la poussière ;
 - Des objets fumants ou en cours de combustion (cendres incandescentes, mégots de cigarettes ou allumettes) ;
 - Des produits inflammables ou combustibles (essence à briquet, carburant ou kérosène) ;
 - Des solutions toxiques (eau de javel, ammoniac ou nettoyeur pour canalisations) ;
 - Des matières toxiques (liquides à concentration élevée d'eau de Javel, d'ammoniac ou solution de nettoyage des canalisations).
- Veillez à **NE PAS** utiliser l'unité dans les lieux suivants :
 - Espaces extérieurs à proximité de cheminées dont l'entrée n'est pas fermée
 - Espaces fermés pouvant contenir des vapeurs ou fumées explosives ou toxiques (essence à briquet, carburant, kérosène, peinture, diluants à peinture, produits antimites ou poussières inflammables)
 - Zone équipée d'un chauffage d'appoint
 - Près des cheminées dont l'entrée n'est pas fermée
- Éteignez robot avant toute activité d'ajustement, de nettoyage, d'entretien ou de dépannage. Remarque : en position O (ARRÊT), le robot consomme encore une faible quantité d'électricité.
- Laissez les filtres sécher complètement à l'air libre avant de les remettre dans l'aspirateur afin d'éviter que le liquide ne soit aspiré dans les pièces électriques.
- Veillez à **NE PAS** modifier ou tenter de réparer l'aspirateur/laveur robot ou la batterie par vous-même, sauf indication contraire dans le présent manuel. Veillez à NE PAS utiliser l'aspirateur s'il a été modifié ou endommagé.
- Veillez à **NE PAS** utiliser de produits nettoyants (nettoyants multi-usages, nettoyants pour vitres, eau de javel) sur les surfaces brillantes et polies de la station ou du robot car ils contiennent des produits chimiques qui risqueraient de les endommager. Utilisez plutôt un chiffon doux imprégné d'un peu d'eau pour nettoyer délicatement ces surfaces.
- Pour empêcher le robot d'aller au-delà des limites non sûres (escaliers/rebords, cheminées, zones d'eau), définissez ces zones comme des zones à éviter en utilisant la fonction de cartographie dans l'application mobile SharkClean. Lorsque vous définissez ces limites, faites fonctionner l'aspirateur et vérifiez que les paramètres empêchent réellement l'aspirateur de franchir les limites définies. Adaptez les paramètres si nécessaire. Pour ceux qui n'utilisent pas l'application, utilisez un blocage physique afin d'empêcher le robot de franchir ces limites.

UTILISATION DE LA BATTERIE

- La batterie représente la source d'alimentation de l'aspirateur. Lisez et suivez attentivement toutes les instructions relatives au chargement.
- Pour éviter la mise sous tension involontaire, éteignez toujours l'aspirateur avant de le soulever ou de le porter. Veillez à **NE PAS** porter l'appareil en posant votre doigt sur l'interrupteur d'alimentation.
- Utilisez UNIQUEMENT la station de charge Shark® XDKRV2820VEEU/XDKAV2820VEEU et la batterie RVBAT850A. L'utilisation de batteries ou de chargeurs de batteries autres que ceux indiqués pourrait créer un risque d'incendie.
- Tenez la batterie à l'abri des objets métalliques tels que les trombones, les pièces de monnaie, les clés, les clous ou les vis. Court-circuiter les bornes de la batterie augmente le risque d'incendie ou de brûlures.
- Dans des conditions abusives, du liquide peut être éjecté de la batterie. Évitez tout contact avec ce liquide, car il peut provoquer des irritations ou des brûlures. En cas de contact, lavez la zone à l'eau. En cas de contact avec les yeux, demandez une aide médicale.
- L'aspirateur robot ne doit pas être rangé, chargé ou utilisé à une température inférieure à 10 °C (50 °F) ou supérieure à 40 °C (104 °F). Assurez-vous que la batterie et l'aspirateur se trouvent à température ambiante avant de charger ou d'utiliser l'appareil. L'exposition du robot ou de la batterie à une température ne respectant pas la plage de températures indiquée risque d'endommager la batterie et d'augmenter les risques d'incendie.
- Veillez à **NE PAS** exposer robot ou la batterie au feu ou à une température supérieure à 130 °C (265 °F) car il existe un risque d'explosion.

ZONES À ÉVITER ET BANDES MAGNÉTIQUES BOTBOUNDARY

- Veillez à **NE PAS** faire passer les bandes magnétiques BotBoundary sous les tapis ou moquettes.
- Veillez à **NE PAS** superposer les bandes magnétiques BotBoundary.
- Utilisez toujours des zones à éviter ou des bandes magnétiques BotBoundary autour de surfaces et sols réfléchissants.
- Les zones à éviter ou les bandes magnétiques BotBoundary doivent toujours être utilisées à proximité d'escaliers recouverts de moquette ou d'un tapis.
- Veillez à **NE PAS** définir de zone à éviter ou placer de bande BotBoundary à moins de 3 mètres de la station.
- Afin de permettre un fonctionnement efficace des capteurs de vide du robot, tous les tapis ou les petits rebords (par exemple le bas d'une barrière de sécurité pour les enfants) doivent être positionnés à au moins 20 cm de distance des escaliers (ou recouvrir le sol en continu jusqu'au bord). Si un tapis, ou un petit rebord, se trouve à moins de 20 centimètres des escaliers et ne peut être déplacé, il faut utiliser une zone à éviter ou une bande BotBoundary pour bloquer l'accès aux les escaliers.

CONSERVEZ CES INSTRUCTIONS

Pour consulter les derniers avertissements et précautions, www.sharkclean.co.uk/robothelp

Veillez impérativement lire le Guide de l'utilisateur Shark® en ligne avant d'utiliser l'appareil.

Shark POWERDETECT

GUIDE DE DÉMARRAGE RAPIDE

TÉLÉCHARGEZ L'APPLICATION SHARKCLEAN



Pour trouver et télécharger rapidement l'application, scannez le QR code avec l'appareil photo de votre téléphone.

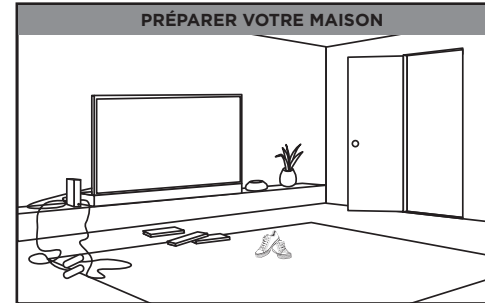
CONTRAT DE LICENCE D'UTILISATEUR FINAL POUR LE LOGICIEL SHARKNINJA

SharkClean.fr/EULA

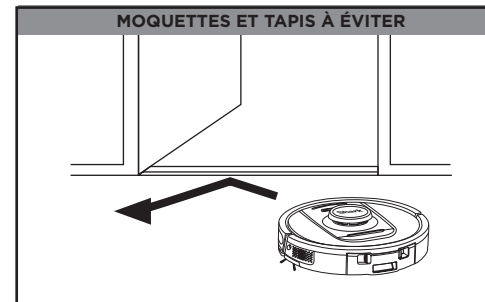
sharkclean.eu

UTILISATION OPTIMALE DE VOTRE ROBOT

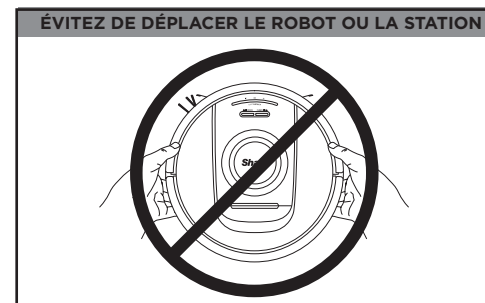
Pour une expérience optimale, téléchargez l'application SharkClean et suivez les conseils indiqués ci-dessous.



Votre robot Power Detect évitera les câbles, mais pour une couverture et un nettoyage optimaux, retirez les câbles et les objets de moins de 11 cm de haut des sols. Pour garantir une cartographie complète de votre maison, ouvrez toutes les portes intérieures.



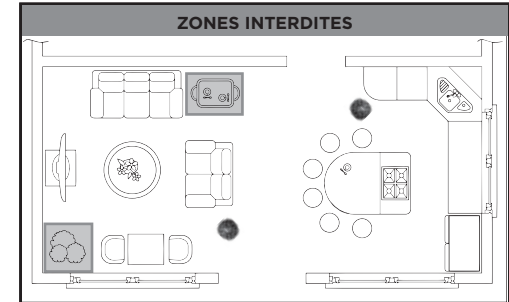
Votre robot peut franchir la plupart des seuils. Cependant, si un seuil dépasse 2,5 cm, définissez une zone interdite dans l'application pour bloquer l'accès à cette zone.



En cours de nettoyage, ne soulevez pas et ne déplacez pas votre robot, ni la station à vidage automatique. Cela risquerait d'entraver sa capacité à cartographier votre maison.

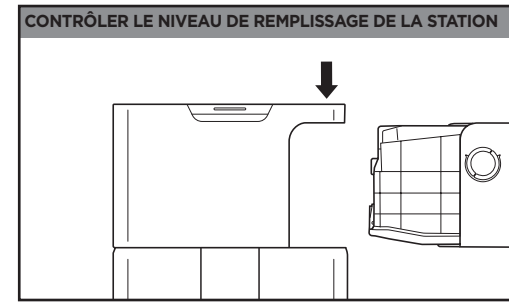


- Pour une propreté constante, configurez un programme de nettoyage de toute la maison dans l'application.
- Pour un nettoyage encore plus personnalisé, utilisez la carte de la maison interactive.



Créez des zones interdites dans l'application afin de tenir votre robot éloigné des endroits qu'il doit éviter :

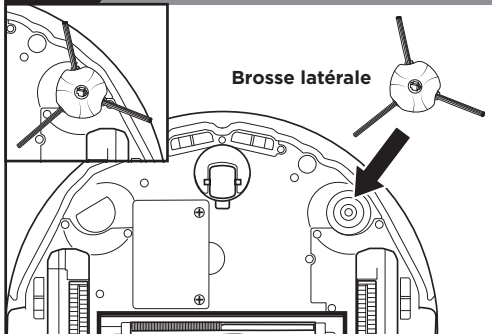
- À proximité des cordons d'alimentation ou des chargeurs de téléphone.
- Face à des seuils hauts.



La base est conçue pour contenir des semaines de débris. Au cours de l'utilisation initiale, il se peut que vous deviez vider le bac plus fréquemment car les débris seront plus nombreux. Vérifiez régulièrement le niveau pour savoir quand le vider.

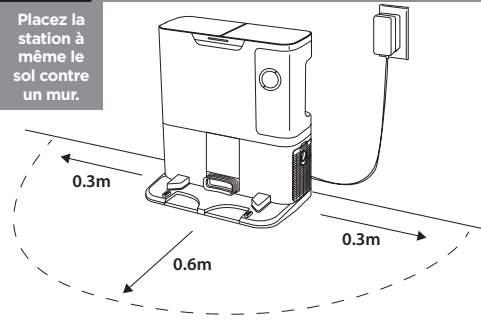
CONFIGURATION

ÉTAPE 1 PRÉPARER LE ROBOT



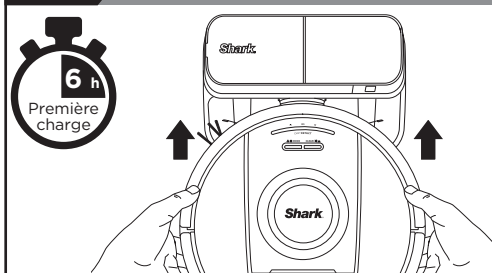
- Retirez le film de protection du robot et de la station.
- Fixez les brosses latérales.


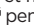
ÉTAPE 2 CONFIGURER LA STATION D'AUTOVIDAGE



- Trouvez un emplacement **permanent** pour la station, dans un endroit central présentant un **bon signal Wi-Fi**.
- Retirez tous les objets situés à moins d'1 mètre de chaque côté de la station, ou à moins d'1,5 mètre de l'avant de la station.
- Branchez la station.

ÉTAPE 3 CHARGER VOTRE ROBOT



- Placez le robot sur la station et laissez-le charger pendant **6 heures**.
- Une fois que le robot est correctement aligné (**DOS** contre la station), l'**icône de charge** ⚡ en haut à droite de la station s'allume et l'icône de la batterie  sur le robot s'allume également.
- Assurez-vous que le robot est correctement aligné sur la **station**.
- **POUR METTRE LE ROBOT SOUS TENSION** : Placez le robot sur la station ou appuyez et maintenez enfoncé le bouton **CLEAN (NETTOYER)**  pendant 5 à 7 secondes jusqu'à ce que les indicateurs lumineux s'allument.

Redémarrez votre téléphone

- Éteignez votre téléphone, patientez quelques minutes, puis rallumez-le et connectez-le au Wi-Fi.

Redémarrez votre robot

- Retirez le robot de la station, appuyez et maintenez enfoncé le bouton **CLEAN (NETTOYER)** sur le robot pendant 12 secondes. Rallumez votre robot en le plaçant sur la station.

Redémarrez votre routeur

- Débranchez le câble d'alimentation du routeur pendant 30 secondes, puis rebranchez-le. Patientez plusieurs minutes, le temps que votre routeur se réinitialise complètement.

ÉTAPE 4 TÉLÉCHARGER L'APPLICATION

Fonctions de l'application SharkClean

- ✓ Cartographie précise du domicile
- ✓ Sélection de la pièce
- ✓ Nettoyage ciblé
- ✓ Zones interdites
- ✓ Planification



Recherchez « SharkClean » dans l'app store ou scannez le QR code sur le capot pour télécharger l'application.

VOUS N'ARRIVEZ PAS À ÉTABLIR LA CONNEXION WI-FI ?



Des questions ? Quelques étapes simples permettent de vous aider :

Vous rencontrez des difficultés pour vous connecter à votre robot ? Pour consulter des vidéos pratiques, des FAQ, des processus de dépannage et des conseils et astuces, rendez-vous sur le site sharkclean.eu.

Pour obtenir le guide d'utilisation complet rendez-vous : qr.sharkclean.com ou qr.sharkclean.com/RV2820EU ou **SCANNEZ ICI À L'AIDE DE L'APPAREIL PHOTO DE VOTRE SMARTPHONE**

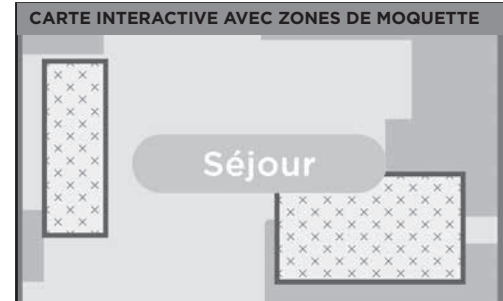
- Pour utiliser l'application, votre téléphone doit être connecté à un réseau 2,4 GHz. L'application ne fonctionnera pas avec un réseau 5 GHz.
- **N'UTILISEZ PAS** de VPN ou de serveur proxy.
- Assurez-vous que l'isolation Wi-Fi est désactivée sur le routeur.

AVANT LE NETTOYAGE

Lors du cycle d'exploration, le robot évolue dans la maison pour créer une carte.

Après ce cycle, vous pouvez créer des zones de moquettes pour les zones de votre maison que votre robot doit éviter lors du nettoyage. Si vous ne souhaitez pas créer de zones moquettes ou n'avez pas de moquettes ni de tapis chez vous, vous pouvez passer cette étape.

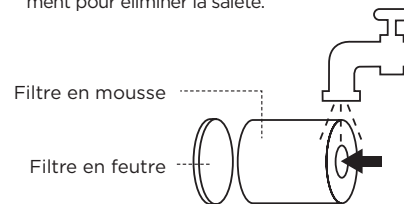
Le robot est maintenant prêt à nettoyer.



NETTOYER LES FILTRES DU ROBOT

IMPORTANT - Il est recommandé de nettoyer le filtre tous les mois afin d'éviter une perte de puissance d'aspiration.

Rincez-le et laissez-le sécher complètement à l'air libre. Si le filtre est sale entre deux lavages, tapotez-le délicatement pour éliminer la saleté.



Les filtres en mousse peuvent paraître sales après utilisation. Ce phénomène est normal.



Veillez à **NE PAS** mettre les mains dans les ouvertures non destinées à un accès utilisateur.

GARANTIE LIMITÉE À DEUX (2) ANS RV2820VEEU/AV2820VEEUWH

Lorsqu'un client achète un produit en France, il bénéficie des droits légaux relatifs à la qualité du produit (vos « droits légaux » : garantie légale de conformité de 2 ans à compter de la livraison et garantie légale des vices cachés de 2 ans à compter de la découverte du vice). Le client peut faire valoir ces droits à l'encontre de son détaillant. Toutefois, la marque Shark® a une grande confiance dans la qualité de ses produits et offre donc au propriétaire une garantie fabricant supplémentaire qui peut aller jusqu'à deux ans : une garantie standard d'un an et une garantie supplémentaire d'un an en cas d'enregistrement de l'appareil. Les présentes conditions se réfèrent uniquement à notre garantie fabricant/commerciale et ne portent aucune atteinte à vos droits légaux.

Nos conditions de garantie sont les suivantes. Elles n'affectent en rien vos droits légaux ni les obligations de votre revendeur à votre égard.

Garantie commerciale Shark®

Un appareil électroménager, comme un purificateur d'air, constitue un investissement important. Votre nouvel appareil doit donc fonctionner correctement le plus longtemps possible.

La garantie fournie avec l'appareil reflète la confiance du fabricant en ses produits et témoigne de la qualité de la fabrication.

Chaque produit Shark® s'accompagne d'une garantie gratuite sur les pièces et la main-d'œuvre. Notre service client est joignable au +33 (800) 908874 du lundi au vendredi de 9h à 18h. L'appel est gratuit et vous serez directement mis en contact avec un conseiller Shark®. Vous trouverez également une assistance en ligne sur www.sharkclean.fr.

Comment puis-je enregistrer mon extension de Garantie commerciale Shark® ?

Vous pouvez enregistrer votre garantie en ligne dans un délai de 28 jours après la date d'achat de votre produit. Pour gagner du temps, préparez les données suivantes de votre appareil :

- Date d'achat de l'appareil (reçu ou bon de livraison).

Pour l'enregistrement en ligne, accédez à www.sharkclean.fr/enregistrez-votre-garantie/. Les produits achetés directement auprès de Shark® sont automatiquement enregistrés.

Que couvre la garantie commerciale Shark® ?

La réparation ou le remplacement de votre appareil Shark® (à la discrétion de Shark), y compris les pièces et la main-d'œuvre. Une garantie Shark® s'ajoute à vos droits légaux en tant que consommateur

Quels sont les avantages de l'enregistrement de ma Garantie commerciale gratuite Shark® ?

L'avantage principal est la garantie supplémentaire d'un an. Si vous enregistrez votre garantie, nous disposerons de vos coordonnées au cas où nous aurions besoin de vous contacter. De plus, si vous acceptez de recevoir des communications de notre part, vous pourrez bénéficier d'astuces et de conseils qui vous aideront à tirer le meilleur parti de votre purificateur d'air Shark®, et serez informé des nouvelles technologies et des nouveaux produits Shark®.

Si vous enregistrez votre garantie en ligne, la réception de vos informations vous sera confirmée instantanément.

Quelle est la durée de garantie commerciale des nouveaux appareils Shark® ?

Compte tenu de notre confiance dans notre conception et notre contrôle qualité, votre nouveau purificateur d'air Shark® bénéficie d'une garantie d'une durée totale qui peut aller jusqu'à deux ans (une garantie commerciale standard d'un an et une garantie de deux ans en cas d'enregistrement de l'appareil).

Où puis-je acheter des pièces de rechange et des accessoires d'origine Shark® ?

Les pièces de rechange et les accessoires Shark® sont développés par les mêmes ingénieurs qui ont conçu votre purificateur d'air Shark®. Vous trouverez une gamme complète de pièces de rechange et d'accessoires Shark® pour tous les appareils Shark® sur le site www.sharkclean.fr.

Veuillez noter que la garantie ne couvre pas les dommages résultant de l'utilisation de pièces détachées autres que les pièces d'origine Shark®.

Que ne couvre pas la Garantie commerciale gratuite Shark® ?

1. Votre garantie ne couvre pas l'usure normale des pièces qui nécessitent un entretien régulier et/ou un remplacement pour assurer le bon fonctionnement de votre appareil. Des pièces de rechange peuvent être achetées sur sharkclean.fr.
2. Tout appareil ayant été modifié ou utilisé à des fins commerciales.
3. Les dommages accidentels et défauts résultant d'une négligence, d'un manque d'entretien, d'une mauvaise utilisation ou d'une manipulation du purificateur d'air qui ne serait pas conforme à la notice d'utilisation de Shark® fournie avec votre appareil.
4. L'utilisation de pièces non assemblées ou non installées conformément à cette notice d'utilisation.
5. Les montages défectueux (sauf s'ils ont été réalisés par Shark®).
6. Les réparations ou les altérations réalisées par des personnes autres que le personnel de Shark® ou ses agents.

GARANTIE COMMERCIALE INDÉPENDANTE DES GARANTIES LÉGALES

Cette garantie commerciale s'applique sans préjudice du droit du consommateur de bénéficier de la garantie légale de conformité, dans les conditions prévues aux articles L217-3 et s. du code de la consommation et de celle relative aux vices cachés, dans les conditions prévues aux articles 1641 à 1648 et 2232 du code civil.

Art. L. 217-3 du code de la consommation: "Le vendeur délivre un bien conforme au contrat ainsi qu'aux critères énoncés à l'article L. 217-5. Il répond des défauts de conformité existant au moment de la délivrance du bien au sens de l'article L. 216-1, qui apparaissent dans un délai de deux ans à compter de celle-ci. Dans le cas d'un contrat de vente d'un bien comportant des éléments numériques : 1° Lorsque le contrat prévoit la fourniture continue d'un contenu numérique ou d'un service numérique pendant une durée inférieure ou égale à deux ans, ou lorsque le contrat ne détermine pas la durée de fourniture, le vendeur répond des défauts de conformité de ce contenu numérique ou de ce service numérique qui apparaissent dans un délai de deux ans à compter de la délivrance du bien ; 2° Lorsque le contrat prévoit la fourniture continue d'un contenu numérique ou d'un service numérique pendant une durée supérieure à deux ans, le vendeur répond des défauts de conformité de ce contenu numérique ou de ce service numérique qui apparaissent au cours de la période durant laquelle celui-ci est fourni en vertu du contrat. Pour de tels biens, le délai applicable ne prive pas le consommateur de son droit aux mises à jour conformément aux dispositions de l'article L. 217-19. Le vendeur répond également, durant les mêmes délais, des défauts de conformité résultant de l'emballage, des instructions de montage, ou de l'installation lorsque celle-ci a été mise à sa charge par le contrat ou a été réalisée sous sa responsabilité, ou encore lorsque l'installation incorrecte, effectuée par le consommateur comme prévu au contrat, est due à des lacunes ou erreurs dans les instructions d'installation fournies par le vendeur. Ce délai de garantie s'applique sans préjudice des articles 2224 et suivants du code civil. Le point de départ de la prescription de l'action du consommateur est le jour de la connaissance par ce dernier du défaut de conformité ».

Art. L.217-4 du code de la consommation: "Le bien est conforme au contrat s'il répond notamment, le cas échéant, aux critères suivants: 1° Il correspond à la description, au type, à la quantité et à la qualité, notamment en ce qui concerne la fonctionnalité, la compatibilité, l'interopérabilité, ou toute autre caractéristique prévues au contrat ; 2° Il est propre à tout usage spécial recherché par le consommateur, porté à la connaissance du vendeur au plus tard au moment de la conclusion du contrat et que ce dernier a accepté ; 3° Il est livré avec tous les accessoires et les instructions d'installation, devant être fournis conformément au contrat ; 4° Il est mis à jour conformément au contrat. »

Art. L.217-5 du code de la consommation: « I.- En plus des critères de conformité au contrat, le bien est conforme s'il répond aux critères suivants : 1° Il est propre à l'usage habituellement attendu d'un bien de même type, compte tenu, s'il y a lieu, de toute disposition du droit de l'Union européenne et du droit national ainsi que de toutes les normes techniques ou, en l'absence de telles normes techniques, des codes de conduite spécifiques applicables au secteur concerné ; 2° Le cas échéant, il possède les qualités que le vendeur a présentées au consommateur sous forme d'échantillon ou de modèle, avant la conclusion du contrat ; 3° Le cas échéant, les éléments numériques qu'il comporte sont fournis selon la version la plus récente qui est disponible au moment de la conclusion du contrat, sauf si les parties en conviennent autrement ; 4° Le cas échéant, il est livré avec tous les accessoires, y compris l'emballage, et les instructions d'installation que le consommateur peut légitimement attendre ; 5° Le cas échéant, il est fourni avec les mises à jour que le consommateur peut légitimement attendre, conformément aux dispositions de l'article L. 217-19 ; 6° Il correspond à la quantité, à la qualité et aux autres caractéristiques, y compris en termes de durabilité, de fonctionnalité, de compatibilité et de sécurité, que le consommateur peut légitimement attendre pour des biens de même type, eu égard à la nature du bien ainsi qu'aux déclarations publiques faites par le vendeur, par toute personne en amont dans la chaîne de transactions, ou par une personne agissant pour leur compte, y compris dans la publicité ou sur l'étiquetage.

II.- Toutefois, le vendeur n'est pas tenu par toutes déclarations publiques mentionnées à l'alinéa qui précède s'il démontre : 1° Qu'il ne les connaissait pas et n'était légitimement pas en mesure de les connaître ; 2° Qu'au moment de la conclusion du contrat, les déclarations publiques avaient été rectifiées dans des conditions comparables aux déclarations initiales ; ou 3° Que les déclarations publiques n'ont pas pu avoir d'influence sur la décision d'achat.

III.- Le consommateur ne peut contester la conformité en invoquant un défaut concernant une ou plusieurs caractéristiques particulières du bien, dont il a été spécifiquement informé qu'elles s'écartaient des critères de conformité énoncés au présent article, écart auquel il a expressément et séparément consenti lors de la conclusion du contrat. »

Art. L.217-28 du code de la consommation: "Lorsque le consommateur demande au garant, pendant le cours de la garantie légale ou de la garantie commerciale qui lui a été consentie lors de l'acquisition ou de la réparation d'un bien, une remise en état couverte par cette garantie, toute période d'immobilisation suspend la garantie qui restait à courir jusqu'à la délivrance du bien remis en état. Cette période court à compter de la demande d'intervention du consommateur ou de la mise à disposition pour réparation ou remplacement du bien en cause, si ce point de départ s'avère plus favorable au consommateur. Le délai de garantie est également suspendu lorsque le consommateur et le garant entrent en négociation en vue d'un règlement à l'amiable. »

Art. 1641 du code civil : « Le vendeur est tenu de la garantie à raison des défauts cachés de la chose vendue qui la rendent impropre à l'usage auquel on la destine, ou qui diminuent tellement cet usage que l'acheteur ne l'aurait pas acquise, ou n'en aurait donné qu'un moindre prix, s'il les avait connus. »

Art. 1648 du code civil : « L'action résultant des vices rédhibitoires doit être intentée par l'acquéreur dans un délai de deux ans à compter de la découverte du vice. »

À LIRE ATTENTIVEMENT ET À CONSERVER POUR CONSULTATION ULTÉRIEURE.

Cette notice d'utilisation est conçue pour vous aider à assurer un fonctionnement optimal de votre aspirateur Shark AI.

SharkNinja Europe Limited,
3150 Century Way,
Thorpe Park,
Leeds,
LS15 8ZB

SharkNinja Germany GmbH,
Rotfeder-Ring 9,
60327 Frankfurt am Main, Germany
sharkclean.eu

Les illustrations peuvent être différentes du produit réel. Nous nous efforçons d'améliorer constamment nos produits ; par conséquent, les spécifications contenues dans ce manuel sont susceptibles d'être modifiées sans préavis.

IMPORTANTI ISTRUZIONI DI SICUREZZA

LEGGERE ATTENTAMENTE PRIMA DELL'UTILIZZO • SOLO PER IMPIEGO DOMESTICO

⚠ AVVERTENZA

Per ridurre il rischio di incendio, scosse elettriche, lesioni o danni materiali:

NON LASCIARE BAMBINI O ANIMALI INCUSTODITI NELLE STANZE A CUI L'ASPIRAPOLVERE ROBOT HA ACCESSO DURANTE LA PULIZIA.


AVVERTENZE RIGUARDO IL LASER

QUESTO PRODOTTO HA UN LASER DI CLASSE 1. STACCARE SEMPRE L'ALIMENTAZIONE PRIMA DI SOLLEVARE IL ROBOT ASPIRAPOLVERE O SOTTOPORLO A INTERVENTI DI MANUTENZIONE. NON GUARDARE DIRETTAMENTE NEL LASER

SE LA SPINA DEL CAVO DI RICARICA NON ENTRA PER INTERO NELLA PRESA, CONTATTARE UN ELETTRICISTA QUALIFICATO. NON FORZARE LA SPINA PER FARLA ENTRARE NELLA PRESA ELETTRICA E NON PROVARE A MODIFICARLA PER FAVORIRE L'INSERIMENTO.

AVVERTENZE GENERALI

Quando si utilizza un elettrodomestico, osservare sempre le precauzioni di base, tra cui:

- L'apparecchio è composto da un robot aspirapolvere lavapavimenti a acqua e da una base di ricarica con alimentatore. Tali componenti contengono parti mobili e collegamenti e cavi elettrici che possono comportare rischi per l'utente.
- Prima di ogni utilizzo, controllare tutte le parti per individuare eventuali danni. In caso di danneggiamento di una delle parti, sospendere l'utilizzo.
- Utilizzare solo pezzi di ricambio originali. Consultare la pagina degli accessori di ricambio del presente libretto.
- Questo robot lavapavimenti a acqua non contiene componenti riparabili.
- Utilizzare solo come descritto nel presente manuale. NON utilizzare il robot lavapavimenti a acqua per scopi diversi da quelli descritti nel presente manuale.
- A eccezione di filtri, contenitori raccogli-polvere e panni, **NON** esporre alcuna parte del robot lavapavimenti a acqua ad acqua o altri liquidi.
-  **NON inserire le mani in nessuna delle aperture della base o del robot.**

AVVERTENZE PER L'USO

- Questo prodotto ha un laser di classe 1. Staccare sempre l'alimentazione prima di sollevare il robot aspirapolvere o sottoporlo a interventi di manutenzione.
- NON** guardare direttamente nel laser.
- Spegnere sempre il robot aspirapolvere prima di inserire o rimuovere il filtro, il contenitore raccogli-polvere.
- NON** toccare la spina, la base di ricarica, il cavo di ricarica o il robot lavapavimenti a acqua con le mani bagnate. La manutenzione e la pulizia a carico dell'utente non devono essere effettuate da bambini senza la supervisione di un adulto
- NON** permettere ai bambini di usare l'elettrodomestico come un giocattolo.
- Questo elettrodomestico può essere utilizzato da bambini di età non inferiore a 8 anni e da persone con capacità fisiche, sensoriali o mentali ridotte

o prive di esperienza e conoscenze solo sotto supervisione oppure dopo aver ricevuto istruzioni adeguate sull'uso dell'apparecchio, sulla sicurezza e sui possibili pericoli.

- NON** utilizzare il robot senza aver inserito il contenitore raccogli-polvere, il filtro.
- NON** danneggiare il cavo di ricarica:
 - NON** tirare o trasportare la base di ricarica tramite il cavo o utilizzare il cavo come impugnatura.
 - NON** scollegare il cavo tirandolo. Staccare afferrando la spina, non il cavo.
 - NON** far passare il cavo sotto una porta, né tenderlo facendolo passare attorno agli spigoli vivi, né lasciarlo vicino a superfici calde.
 - NON** è possibile sostituire il cavo di alimentazione. Rottamare il prodotto in caso di cavo danneggiato.
- NON** inserire alcun oggetto nella bocchetta o nelle aperture degli accessori. **NON** utilizzare se vi sono delle aperture ostruite; tenere le aperture libere da polvere, pelucchi, capelli e qualsiasi cosa che possa ridurre il flusso d'aria.
- NON** utilizzare se il flusso d'aria del robot lavapavimenti a acqua è ridotto. Se i passaggi dell'aria sono ostruiti, spegnere l'aspirapolvere e rimuovere tutte le ostruzioni prima di accenderlo nuovamente.
- Tenere la bocchetta e tutte le aperture lontano da capelli, viso, dita, piedi scalzi o indumenti larghi.
- NON** utilizzare il robot lavapavimenti a acqua se non funziona correttamente, è caduto, presenta danni, è rimasto all'aperto o è caduto in acqua.
- NON** collocare l'aspirapolvere su superfici instabili.
- NON** utilizzare per aspirare:
 - Liquidi.
 - Oggetti di grandi dimensioni.
 - Oggetti duri o appuntiti (vetro, chiodi, viti o monete).
 - Quantità consistenti di polvere (polvere d'intonaco, cenere di camino o braci).
 - NON** utilizzare come accessorio per alimentare strumenti per la raccolta della polvere.
 - Oggetti fumanti o che bruciano (carboni ardenti, mozziconi di sigarette o fiammiferi).

- Materiali infiammabili o combustibili (liquidi per accendini, benzina o cherosene).
- Sostanze tossiche (candeggina, ammoniaca o liquido disingorgante).

i) Sostanze tossiche (elevate concentrazioni di candeggina, elevate concentrazioni di ammoniaca o prodotto sturalavandini).

- NON** utilizzare nelle seguenti aree:
 - Aree esterne in prossimità di focolari con accesso privo di ostacoli.
 - Spazi chiusi che potrebbero contenere esplosivi oppure fumi o vapori tossici (liquidi per accendini, benzina, cherosene, vernici, diluenti, prodotti antitarne o polveri infiammabili).
 - In aree con stufette elettriche.
 - In prossimità di focolari con accesso privo di ostacoli.
- Spegnere il robot lavapavimenti a acqua prima di qualsiasi intervento di regolazione, pulizia, manutenzione o risoluzione dei problemi. Nota: quando è in posizione OFF (O), il robot consuma comunque una piccola quantità di energia.
- Per prevenire il versamento di liquidi all'interno delle parti elettriche, lasciare asciugare completamente tutti i filtri all'aria prima di installarli di nuovo.
- NON** modificare o provare a riparare da soli il robot aspirapolvere o la batteria, salvo se indicato nel presente manuale. **NON** utilizzare l'aspirapolvere se è stato modificato o danneggiato.
- NON** utilizzare detergenti per la pulizia della casa (detergenti multiuso, prodotti per la pulizia dei vetri, candeggina) su nessuna delle superfici lucide della stazione di ricarica o dell'aspirapolvere robot, poiché contengono delle sostanze chimiche che possono danneggiare tali superfici. Utilizzare invece un panno inumidito con acqua per una pulizia delicata.
- Per ridurre al minimo il rischio che il robot superi un limite non sicuro (spigoli di scale o dislivelli, caminetti, rischio di presenza dell'acqua), impostare queste aree come "zone ad accesso vietato" usando la funzionalità di mappatura nell'app mobile SharkClean. Al momento di impostare il limite, attivare l'aspirapolvere e accertarsi visivamente che le impostazioni impediscano effettivamente al robot di superare il limite stabilito. Regolare le impostazioni in modo adeguato alle proprie esigenze. Per utenti senza app: utilizzare una delimitazione per bloccare i limiti non sicuri.

USO DELLA BATTERIA

- La batteria è la fonte di alimentazione dell'aspirapolvere. Leggere e seguire con cura tutte le istruzioni per la ricarica.
- Per prevenirne l'accensione involontaria, assicurarsi che l'aspirapolvere sia spento prima di sollevarlo o trasportarlo. **NON** trasportare l'apparecchio tenendo il dito sull'interruttore di accensione.
- Utilizzare SOLO con la base di ricarica Shark® XDKRV2820VEEU/XDKAV2820VEEU e solo con la batteria RVBAT850A. L'uso di batterie o di caricabatterie diversi da quelli indicati può creare un rischio d'incendio.
- Tenere la batteria lontano da oggetti metallici come graffette, monete, chiavi, chiodi o viti. Il cortocircuito tra i morsetti della batteria aumenta il rischio di incendi o ustioni.
- Un uso improprio della batteria può causare la fuoriuscita dei liquidi interni. Evitare ogni contatto con il liquido in quanto questo può causare irritazione o ustioni. In caso di contatto risciacquare con acqua. In caso di contatto con gli occhi, consultare un medico.
- Il robot aspirapolvere non deve essere conservato, caricato o utilizzato a temperature inferiori a 10 °C o superiori a 40 °C. Prima della ricarica o dell'uso, verificare che la batteria e l'aspirapolvere abbiano raggiunto la temperatura ambiente. L'esposizione del robot o della batteria a temperature che non rientrano in questo intervallo potrebbe danneggiare la batteria e aumentare il rischio di incendio.
- NON** esporre il robot lavapavimenti a secco/con acqua o la batteria al fuoco o a temperature superiori a 130 °C in quanto potrebbe esplodere.

ZONE AD ACCESSO VIETATO E STRISCE BOTBOUNDARY

- NON** collocare le strisce BotBoundary sotto tappeti o tappetini.
- NON** sovrapporre le strisce BotBoundary le une sulle altre.
- Utilizzare sempre le zone ad accesso vietato e le strisce BotBoundary attorno a pavimenti e superfici riflettenti.
- Le zone ad accesso vietato e le strisce BotBoundary vanno sempre utilizzate vicino alle scale con moquette.
- NON** utilizzare le zone ad accesso vietato e le strisce BotBoundary a meno di 3 metri dal dock.
- Per far sì che i sensori di dislivello del robot funzionino correttamente, tutti i tappeti, le moquette o le soglie basse (come i cancelletti per bambini), devono trovarsi ad almeno 20 cm dalle scale (oppure devono estendersi oltre lo spigolo). Se non si può muovere un tappeto, una moquette o una soglia bassa che si trova a meno di 20 cm dalle scale, si deve usare una zona ad accesso vietato o una striscia BotBoundary per bloccare l'accesso alle scale.

CONSERVARE QUESTE ISTRUZIONI

Per rimanere informato su avvertenze e precauzioni, visitare il sito www.sharkclean.com/robohelp

Shark POWERDETECT

GUIDA RAPIDA ALL'UTILIZZO

SCARICA L'APP SHARKCLEAN



Scansiona il codice QR con la fotocamera dello smartphone per trovare e scaricare rapidamente l'app

CONTRATTO DI LICENZA CON L'UTENTE FINALE PER IL SOFTWARE SHARKNINJA

COME USARE AL MEGLIO IL ROBOT

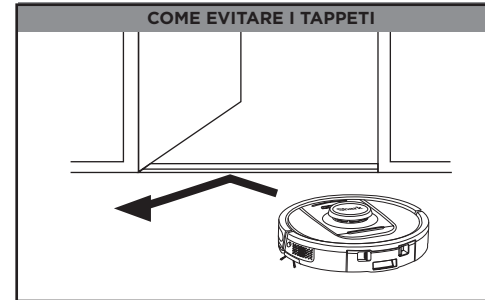
Per la miglior esperienza d'uso, scaricare l'app SharkClean e attenersi ai seguenti consigli.

PREPARAZIONE DELLA CASA



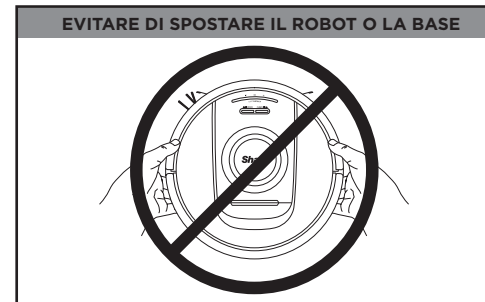
Prima di ogni pulizia, spostare i cavi e rimuovere i piccoli oggetti, quali indumenti o giocattoli, di altezza inferiore a 11 cm. Aprire le porte interne delle stanze che si desidera siano pulite dal robot.

COME EVITARE I TAPPETI



Il robot è in grado di scavalcare facilmente la maggior parte delle soglie, tuttavia, se una soglia è più alta di 2,5 cm, impostare una zona ad accesso vietato nell'app per bloccare l'accesso.

EVITARE DI SPOSTARE IL ROBOT O LA BASE



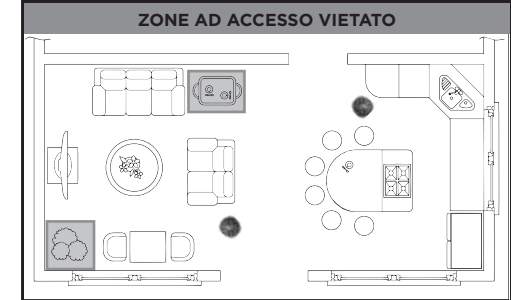
Durante la pulizia, non sollevare il robot o la base di ricarica per spostarli. Tali spostamenti incidono sulla capacità del robot di mappare la casa.

PROGRAMMAZIONE E MAPPA INTERATTIVA



- Per uno stato di pulizia costante, impostare un programma di lavaggio per l'intera casa nell'app.
- Utilizzare la mappa interattiva della casa per una pulizia ancora più personalizzata.

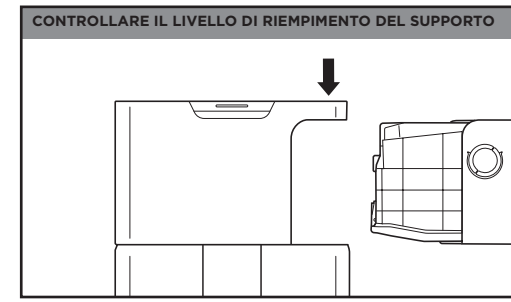
ZONE AD ACCESSO VIETATO



Creare zone ad accesso vietato nell'app per impedire al robot di raggiungere determinate aree:

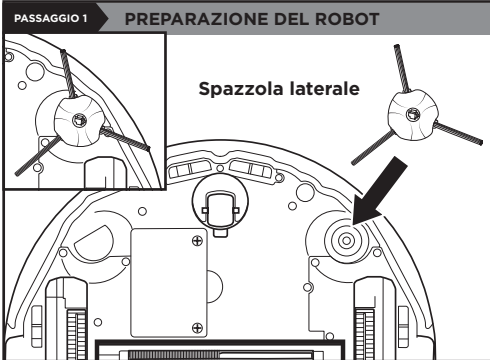
- Vicino a cavi di alimentazione o ai caricabatteria del telefono.
- Di fronte a soglie alte.

CONTROLLARE IL LIVELLO DI RIEMPIMENTO DEL SUPPORTO

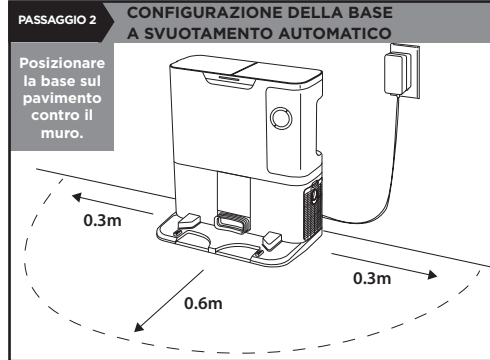


La base è progettata per contenere frammenti di settimane. Durante l'utilizzo iniziale potrebbe essere necessario svuotarlo più spesso, poiché il robot aspira più detriti del solito. Controllare regolarmente il livello di riempimento per sapere quando svuotarlo.

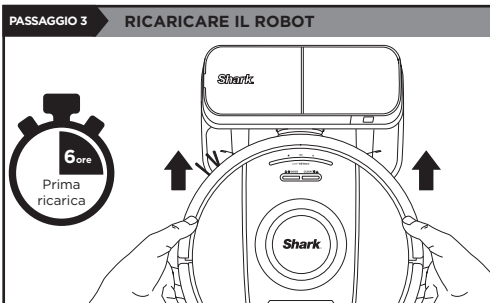
CONFIGURAZIONE





- Rimuovere la pellicola protettiva da robot e base.
- Fissare le spazzole laterali.



- Trovare una collocazione **permanente** per la base in un'area centrale con un **buon segnale Wi-Fi**.
- Rimuovere eventuali oggetti posti a una distanza inferiore a 1 m da entrambi i lati del supporto o inferiore a 1,5 m dalla parte anteriore dello stesso.
- Collegare la base.



- Posizionare il robot sulla base per caricarlo per **6 ore**.
- Quando il **RETRO** del robot è allineato correttamente con la base, si illumineranno l'**icona di ricarica** sul lato in alto a destra della base e l'icona della batteria  sul robot.
- Assicurarsi che il robot sia allineato correttamente alla **base**.
- **ACCENSIONE DEL ROBOT:** Posizionare il robot sulla base o tenere premuto il pulsante **CLEAN**  per 5-7 secondi fino all'accensione delle spie luminose.

Riavviare il telefono

- Spegnerne il telefono, aspettare qualche minuto, riaccenderlo e connetterlo al Wi-Fi.

Riavviare il robot

- Rimuovere il robot dalla base e tenere premuto il pulsante **CLEAN (PULIRE)** sul robot per 12 secondi. Riaccendere il robot posizionandolo sulla base.

Riavviare il router

- Scollegare il cavo di alimentazione del router per 30 secondi, dopodiché ricollegarlo. Attendere diversi minuti, in modo che il router si riavvii completamente.

SCARICARE L'APP

Funzioni dell'app SharkClean

- ✓ Mappatura accurata della casa
- ✓ Selezione della stanza
- ✓ Pulizia in zone mirate
- ✓ Zone ad accesso vietato
- ✓ Programmazione



Cerca "SharkClean" nell'App Store o scansiona il codice QR sulla copertina per scaricare l'app.

IMPOSSIBILE CONNETTERSI AL WI-FI?



Domande? Soluzioni facili in caso di problemi:

Ci sono difficoltà a connettersi al robot?
Visitare sharkclean.eu per video dimostrativi, FAQ, risoluzione problemi e consigli.
Per il libretto di istruzioni completo

visitare: qr.sharkclean.com/RV2820EU o **SCANSIONARE QUI USANDO LA FOTOCAMERA DELLO SMARTPHONE**

- Per utilizzare l'app, lo smartphone deve essere connesso a una rete da 2,4 GHz. L'app non è in grado di funzionare con una rete da 5 GHz.
- **NON** utilizzare una VPN o un server proxy.
- Verificare che l'isolamento Wi-Fi sia disattivato sul router.

PRIMA DI PULIRE

Impostando Explore Run, il robot esplorerà la casa creando una mappa.

Dopo l'esplorazione, si potranno creare le zone dei tappeti nelle aree della casa che il robot dovrà evitare durante il lavaggio. Se non si desidera impostare le zone dei tappeti o in casa non ci sono moquette o tappeti, saltare questo passaggio.

Ora è tutto pronto per il lavaggio.

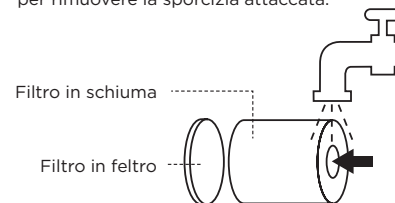
MAPPA INTERATTIVA CON LE ZONE TAPPETI



PULIZIA DEL FILTRO DEL ROBOT

IMPORTANTE - Pulire il filtro ogni mese o la potenza aspirante potrebbe diminuire.

Sciogliere e lasciare asciugare completamente. Inoltre, tra un lavaggio e l'altro, picchiare sul filtro per rimuovere la sporcizia attaccata.



I filtri in schiuma possono sembrare sporchi dopo l'uso, questo è normale.



NON inserire le mani in nessuna apertura non indicata espressamente per l'accesso dell'utente

GARANZIA CONVENZIONALE DI DUE (2) ANNI RV2820VEEU/AV2820VEEUWH

Quando acquista un prodotto in Italia, il cliente beneficia dei diritti di legge relativi alla qualità del prodotto (i "diritti di legge"). Il cliente può far valere tali diritti nei confronti del proprio rivenditore. Nonostante ciò, la fiducia di Shark® nella qualità dei propri prodotti è tale da portarla ad offrire al loro proprietario Garanzia Convenzionale del produttore della durata massima di due anni. I presenti termini e condizioni si riferiscono solo alla nostra Garanzia Convenzionale del produttore; i diritti di legge del cliente rimangono inalterati.

Le condizioni che seguono descrivono i requisiti e il campo di applicazione della nostra garanzia. Non alterano in alcun modo i diritti di legge o gli obblighi di legge del rivenditore né il contratto del cliente con lo stesso.

Garanzie Shark®

Un apparecchio per uso domestico, quale un aspirapolvere robot, costituisce un investimento considerevole. Il nuovo apparecchio deve funzionare correttamente per il maggior tempo possibile. La garanzia di cui è provvisto è un fattore importante e riflette il grado di fiducia che il produttore ha nella qualità del proprio prodotto e del processo di produzione.

Tutti gli apparecchi Shark® sono dotati di una garanzia gratuita relativa a ricambi e manodopera. Il Servizio Clienti (800 961655) è attivo dalle ore 09:00 alle ore 18:00, dal lunedì al venerdì. La telefonata è gratuita e il cliente verrà messo direttamente in contatto con un rappresentante di Shark®. È inoltre possibile ricevere assistenza online visitando il sito www.sharkclean.eu.

Come fare per registrare la garanzia Shark® estesa?

È possibile registrare la propria garanzia online entro 28 giorni dall'acquisto. Per risparmiare tempo, si ricorda che sono necessarie le seguenti informazioni relative all'apparecchio:

- Data di acquisto dell'apparecchio (scontrino fiscale o bolla di consegna).

Per la registrazione online, visitare www.Sharkclean.eu/uk/register-guarantee. I prodotti acquistati direttamente da Shark® vengono registrati automaticamente.

Che cosa copre la garanzia gratuita Shark®?

La riparazione o la sostituzione dell'apparecchio Shark® (a discrezione di Shark), inclusi tutti i ricambi e la manodopera. La garanzia Shark® va ad aggiungersi ai diritti di legge del consumatore.

Quali sono i vantaggi della registrazione della garanzia gratuita Shark®?

Registrando la garanzia, il cliente metterà a disposizione dell'azienda i propri dati per eventuali necessità di contatto e assistenza. Inoltre, accettando di ricevere comunicazioni dall'azienda, il cliente potrà ottenere suggerimenti e consigli su come sfruttare al meglio le potenzialità del aspirapolvere robot Shark®, nonché conoscere le ultime novità sulle tecnologie e i nuovi prodotti Shark®.

Registrando la garanzia online, il cliente riceverà una conferma immediata della ricezione dei dati da parte di Shark®.

Per quanto tempo sono garantiti gli apparecchi Shark® nuovi?

In virtù della fiducia che riponiamo nella nostra progettazione e nel nostro controllo qualità, un aspirapolvere robot Shark® nuovo viene fornito con una garanzia massima di due anni.

Dove posso acquistare ricambi e accessori originali Shark®?

I ricambi e gli accessori Shark® sono sviluppati dagli stessi ingegneri che hanno sviluppato il aspirapolvere robot Shark®. È possibile trovare la gamma completa di ricambi, componenti sostitutivi e accessori Shark® per tutti gli apparecchi Shark® sul sito www.sharkclean.eu.

Si ricorda che i danni causati dall'uso di ricambi non originali Shark® non sono coperti dalla garanzia.

Che cosa non copre la garanzia gratuita Shark®?

1. La presente garanzia non copre i componenti soggetti a usura che richiedono manutenzione regolare e/o sostituzione per garantire il corretto funzionamento dell'unità. I componenti sostitutivi possono essere acquistati sul sito sharkclean.eu.
2. Qualsiasi unità che sia stata manomessa o utilizzata per scopi commerciali.

3. Danni accidentali, guasti causati da negligenza nell'utilizzo o nella cura, uso improprio, incuria, azionamento o movimentazione non corretti del aspirapolvere robot non conformi alle indicazioni presenti nel libretto di istruzioni di Shark® in dotazione con l'apparecchio.

4. Utilizzo di componenti non assemblati o installati secondo le istruzioni.

5. Installazione non corretta (tranne se eseguita da Shark®).

6. Riparazioni o modifiche eseguite da soggetti diversi da Shark® o dai suoi agenti.

SI PREGA DI LEGGERE ATTENTAMENTE IL MANUALE D'USO E DI CONSERVARLO PER FARVI RIFERIMENTO IN FUTURO.

Le presenti istruzioni hanno lo scopo di far sì che lo Shark Robot funzioni al massimo delle sue prestazioni.

SharkNinja Europe Limited,
3150 Century Way,
Thorpe Park,
Leeds,
LS15 8ZB

SharkNinja Germany GmbH,
Rotfeder-Ring 9,
60327 Frankfurt am Main, Germany
sharkclean.eu

Il prodotto illustrato può essere diverso dal prodotto effettivo. Shark si impegna costantemente per migliorare i propri prodotti, pertanto le specifiche descritte nel presente documento possono essere soggette a modifica senza preavviso.

BELANGRIJKE VEILIGHEIDSLINSTRUCTIES

AANDACHTIG LEZEN VOOR GEBRUIK • UITSLUITEND VOOR HUISHOUDELIJK GEBRUIK

⚠ WAARSCHUWING

om het risico op brand, elektrische schokken, letsel of materiële schade te beperken:**KINDEREN OF DIEREN DIENEN NIET ZONDER TOEZICHT ACHTERGELATEN TE WORDEN IN RUIMTES WAAR DE ROBOTSTOFZUIGER TIJDENS HET SCHOONMAKEN TOEGANG TOE HEEFT.****LASERWAARSCHUWING****DIT PRODUCT HEEFT EEN KLASSE 1 LASER. ZET ALTIJD DE STROOM UIT VOORDAT U DE ROBOTSTOFZUIGER OPTILT OF ER ONDERHOUD AAN PLEEGT. KIJK NIET DIRECT IN DE LASER.****ALS DE STEKKER VAN DE LAADKABEL NIET VOLLEDIG IN HET STOPCONTACT PAST, NEEM DAN CONTACT OP MET EEN GEKwalificeerde ELEKTRICIEN. NOOIT IN HET STOPCONTACT DRUKKEN OF PROBEREN HEM PASSEND TE MAKEN.****ALGEMEEN GEBRUIK****Als u een elektrisch apparaat gebruikt, dient u altijd de standaard veiligheidsvoorschriften in acht te nemen, waaronder het volgende:**

- Dit apparaat bestaat uit een robotvloerreiniger/stofzuiger en een laadstation met stroomvoorziening. Deze onderdelen bevatten elektrische verbindingen, elektrische bedrading en bewegende delen die een risico voor de gebruiker kunnen vormen.
- Controleer vóór elk gebruik zorgvuldig alle onderdelen op eventuele schade. Als een onderdeel beschadigd is, stop dan met gebruiken.
- Gebruik alleen identieke vervangende onderdelen. Zie de pagina met vervangende accessoires van dit boekje.
- Deze robotvloerreiniger heeft geen onderdelen die onderhoud nodig hebben.
- Gebruik het apparaat alleen zoals beschreven in deze handleiding. Gebruik de robotvloerreiniger NIET voor andere doeleinden dan die beschreven in deze handleiding.
- Met uitzondering van de filters, stofbakken en pads, stel **GEEN** onderdelen van de robotvloerreiniger bloot aan water of andere vloeistoffen.
-  **Steek uw handen NIET in een opening in het station of de robot.**

Waarschuwingen VOOR GEBRUIK

- Dit product heeft een klasse 1 laser. Zet altijd de stroom uit voordat u de robotstofzuiger optilt of er onderhoud aan pleegt.
- Kijk **NIET** direct in de laser.
- Schakel de robotstofzuiger altijd uit voordat u de filter, de stofbak of het.
- Raak de stekker, het oplaadstation, de oplaadkabel of de robotvloerreiniger **NOOIT** aan met natte handen. Schoonmaken en onderhouden dient niet door kinderen te worden uitgevoerd zonder supervisie
- Kinderen mogen **NIET** met dit apparaat spelen.
- Dit apparaat kan worden gebruikt door kinderen met een leeftijd vanaf 8 jaar en door personen met beperkte fysieke, zintuiglijke of verstandelijke vermogens of gebrek aan ervaring en kennis, mits deze personen het apparaat onder toezicht gebruiken of instructies hebben gekregen over het veilig

gebruiken van het apparaat en zij begrijpen welke gevaren ermee gepaard gaan.

- Gebruik de robot **NIET** als de stofbak, de filter.
- Beschadig het oplaadsnoer **NIET**:
 - Trek **NIET** aan het oplaadstation, til het NIET op bij het snoer en gebruik het snoer niet als handvat.
 - Haal het snoer **NIET** uit het stopcontact door eraan te trekken. Houd het apparaat aan de stekker vast, niet aan het snoer.
 - Sluit **GEEN** deuren als het snoer ertussen zit, haal het snoer NIET langs scherpe hoeken, en laat het snoer NIET liggen in de buurt van hete oppervlakken.
 - De voedingskabel kan **NIET** worden vervangen. Als het snoer beschadigd is, moet het toestel worden weggegooid.
- Plaats **GEEN** voorwerpen in de openingen van de zuigmond of de accessoires. Gebruik het apparaat **NIET** als een opening verstopt is; houd vrij van stof, pluisjes, haar en alles wat de luchtstroom kan verminderen.
- NIET** gebruiken als de luchtstroom van de robotvloerreiniger is geblokkeerd. Als de luchtstroom geblokkeerd raakt, zet de stofzuiger dan uit en verwijder alle obstakels voordat u hem weer aanzet.
- Houd het mondstuk en alle openingen van de stofzuiger uit de buurt van haar, gezicht, vingers, blote voeten of losse kleding.
- NIET** gebruiken als de robotvloerreiniger niet naar behoren werkt, gevallen of beschadigd is, buiten heeft gestaan of in het water is terechtgekomen.
- Zet de stofzuiger **NIET** op instabiele oppervlakken.
- Gebruik **NIET** om het volgende op te zuigen:
 - Vloeistoffen.
 - Grote voorwerpen.
 - Harde of scherpe voorwerpen (glas, nagels, schroeven of muntjes).
 - Grote hoeveelheden stof (stof uit muren, as van een openhaard, of sintel).
 - Gebruik NIET als hulpstuk voor elektrisch gereedschap om stof te verzamelen.
 - Rokende of brandende voorwerpen (hete kolen, sigaretten of lucifers).

- Ontvlambare of ontbrandbare materialen (aanstekervloeistof, benzine, of kerosine).
 - Giftige materialen (chloorbleekwater, ammoniak, of reinigingsmiddel afvoer).
 - Giftige materialen (hoge concentratie bleekmiddel, hoge concentratie ammoniak of reinigingsmiddel afvoer).
- Gebruik **NIET** op de volgende plekken:
 - Buitenruimtes in de buurt van een open haard met ongehinderde toegang.
 - Gesloten ruimtes die mogelijk explosieve of giftige rook of damp (vloeistof voor aanstekers, benzine, kerosine, verf, verfverduunners, motverende substanties, of ontvlambaar stof) bevatten.
 - Op een plek waar een verwarmingsapparaat is.
 - Vlakbij openhaarden met ongehinderde toegang.
 - Schakel de robotvloerreiniger uit voordat u een aanpassing doet, schoonmaakt, onderhoudt of problemen oplost. Opmerking: in de UIT (O)-positie gebruikt de robot nog steeds een kleine hoeveelheid energie.
 - Laat alle filters drogen voordat u ze terugplaatst, om te voorkomen dat er vloeistof in de elektrische onderdelen terecht komt.
 - NIET** de robotstofzuiger of batterij aanpassen of proberen te repareren, anders dan zoals aangegeven in deze handleiding. Gebruik de stofzuiger **NIET** als hij is aangepast of beschadigd.
 - Gebruik **GEEN** huishoudelijke schoonmaakmiddelen (allesreinigers, glasreinigers, bleek) op een van de gepolijste glanzende oppervlakken van het oplaadstation of de robotstofzuiger, omdat dit chemische middelen zijn die deze oppervlakken kunnen beschadigen. Gebruik in plaats daarvan een doek met water om voorzichtig te reinigen.
 - Kies no-go zones met de functie voor in kaart brengen in de SharkClean mobiele app om te voorkomen dat de robot een onveilige grens overschrijdt (randen van trappen of afronden, open haarden, water). Na het instellen van de grens start u de stofzuiger en controleert u visueel of de instellingen effectief voorkomen dat de robot de ingestelde grens overschrijdt. Pas de instellingen indien nodig aan. Als u geen app heeft, kunt u een barrière maken om een onveilige plek te blokkeren.

BATTERIJGEBRUIK

- De batterij is de voedingsbron van de stofzuiger. Lees alle oplaadstructies goed door en volg ze zorgvuldig op.
- Om onbedoeld starten te voorkomen, moet u ervoor zorgen dat de stofzuiger is uitgeschakeld voordat u hem oppakt of draagt. Draag het apparaat **NIET** met uw vinger op de aan- en uitschakelaar.
- Gebruik uitsluitend het Shark® oplaadstation XDKRV2820VEEU/XDKAV2820VEEU en gebruik alleen batterij RVBAT850A. Gebruik van andere batterijen of batterijopladers dan aangegeven kan brandgevaar veroorzaken.
- Houd de batterij uit de buurt van alle metalen voorwerpen, zoals paperclips, munten, sleutels, spijkers of schroeven. Kortsluiting tussen de batterijcontacten verhoogt het risico op brand of brandwonden.
- Bij verkeerd gebruik kan er vloeistof uit de batterij lopen. Voorkom contact met de vloeistof, want deze kan irritatie of brandwonden veroorzaken. Bij contact met water afspoelen. Bij contact met de ogen direct medische hulp zoeken.
- De robotstofzuiger dient niet opgeborgen, opgeladen of gebruikt te worden bij temperaturen onder de 10 °C of boven de 40 °C. Zorg dat de batterij en stofzuiger op kamertemperatuur zijn vóór het opladen of gebruiken. De robot of batterij blootstellen aan temperaturen buiten dit gespecificeerde bereik kan schade aan de batterij veroorzaken en het risico op brand verhogen.
- Stel de robotvloerreiniger en batterij **NIET** bloot aan vuur of temperaturen boven 130 °C, omdat dit een explosie kan veroorzaken.

NO-GO ZONES EN BOTBOUNDARY-STRIPS

- Plaats de BotBoundary-strips **NIET** onder tapijten en vloerkleden.
- Plaats BotBoundary-strips **NIET** boven op elkaar.
- Gebruik altijd no-go zones of BotBoundary-strips rond reflecterende vloeren en oppervlakken.
- BotBoundary-strips moeten altijd worden gebruikt in de buurt van trappen met tapijt.
- Zet **GEEN** no-go zones of Bot-Boundary strips binnen 3 meter van het station.
- Om te zorgen dat de afgrondsensoren van de robot goed werken, dienen alle lopers, vloerkleden, tapijten of belemmeringen (zoals kinderhekjes) minstens 20cm van alle trappen af te liggen (of ze moeten over de randen van de treden liggen). Als een loper, vloerkleed, tapijt of belemmering op minder dan 20cm van de trap niet kan worden verplaatst, dient u een BotBoundary-strip te gebruiken om de trap af te sluiten.

BEWAAR DEZE HANDLEIDING

Ga voor de meest recente waarschuwingen naar www.sharkclean.eu/robohelp

Shark POWERDETECT

SNELSTARTGIDS

DOWNLOAD DE SHARKCLEAN-APP

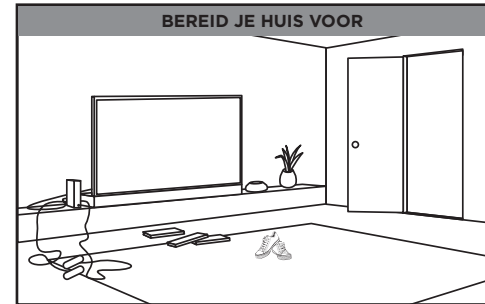


Scan de QR-code met de camera van je telefoon om de app snel te vinden en te downloaden

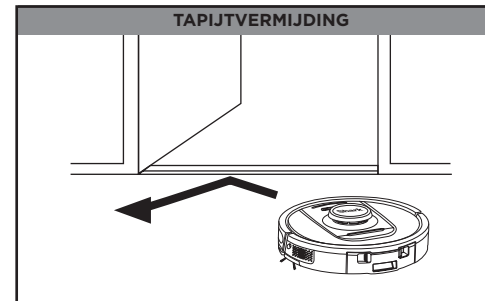
LICENTIE-OVEREENKOMST EINDGEBRUIKER VOOR SHARKNINJA SOFTWARE

HAAL ZO VEEL MOGELIJK UIT JE ROBOT

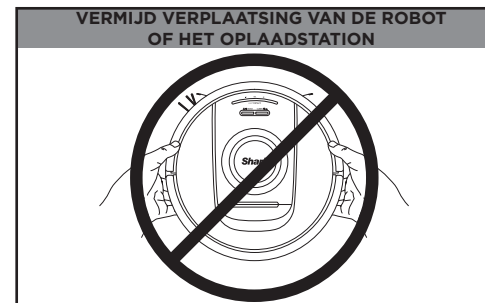
Download de SharkClean-app en volg onderstaande tips voor de beste ervaring.



Uw Power Detect-robot vermijdt snoeren, maar voor optimaal bereik en de beste reiniging verwijdert u snoeren en voorwerpen die kleiner zijn dan 11 cm van de vloer. Open de binnendeuren om te garanderen dat er een goede kaart van uw huis kan worden gemaakt.



Uw robot kan gemakkelijk over de meeste drempels klimmen, maar als er één hoger is dan 2,5 cm, stel dan een no-go zone in de app in om deze af te sluiten.

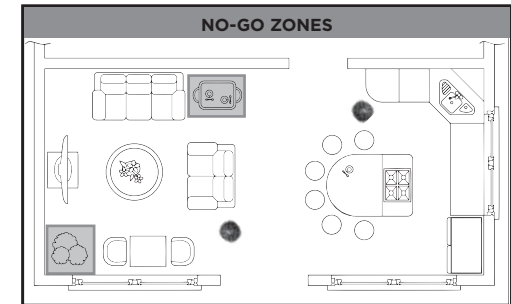


Als de robot aan het schoonmaken is, pak hem dan niet op en verplaats hem niet. Laat ook het Self-Empty-station staan, want dat kan invloed hebben op het vermogen van de robot om uw huis in kaart te brengen.



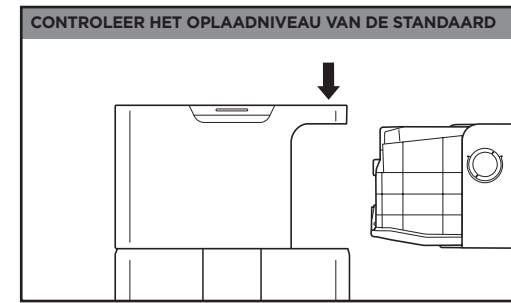
PLAN EEN INTERACTIEVE PLATTEGROND

- Stel een reinigingsschema in voor het hele huis zodat het altijd schoon is.
- Gebruik de interactieve thuisplattegrond voor schoonmaak op maat.



Creëer verboden zones in de app, zodat je robot weet waar die niet mag komen:

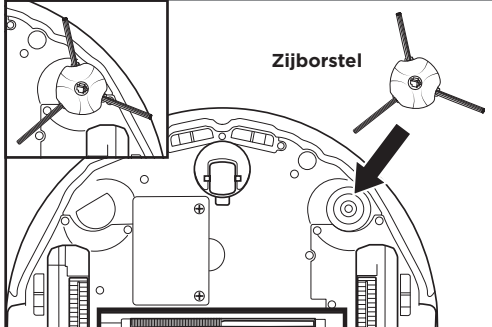
- In de buurt van stroomkabels of telefoonopladers.
- Bij hoge drempels.



De basis is ontworpen om wekenlang vuil vast te houden. Tijdens het eerste gebruik moet u hem vaker legen, omdat de robot meer vuil verzamelt dan gebruikelijk. Controleer het vulniveau regelmatig om te zien wanneer het tijd is om te legen.

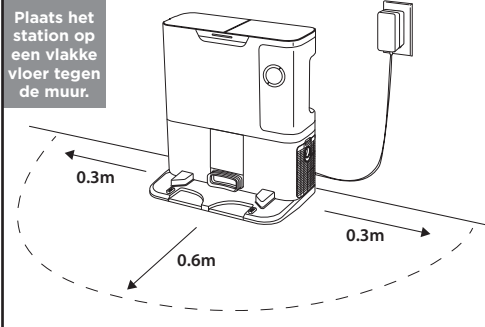
INSTALLATIE

STAP 1 BEREID DE ROBOT VOOR



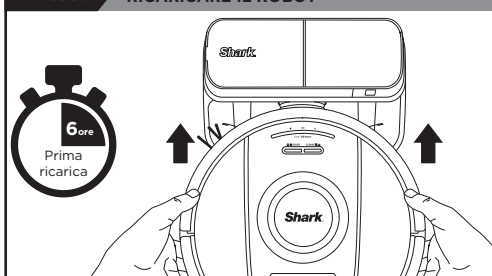
- Verwijder de beschermfolie van de robot en het station.
- Bevestig de zijborstel.

STAP 2 HET ZELFLEGENDE STATION OPZETTEN



- Kies een **vaste** locatie voor het station, zoals hierboven afgebeeld, in een centrale ruimte met een **sterk wifi-sigitaal**.
- Verwijder objecten die dichterbij dan 1m zijn aan beide kanten van de standaard, of dichterbij dan 1,5 m vanaf de voorkant van de standaard.
- Steek de stekker van het station in het stopcontact.

PASSAGGIO 3 RICARICARE IL ROBOT



- Posizionare il robot sulla base per caricarlo per **6 ore**.
- Quando il **RETRO** del robot è allineato correttamente con la base, si illumineranno l'**icona di ricarica** sul lato in alto a destra della base e l'icona della batteria sul robot.
- Assicurarsi che il robot sia allineato correttamente alla **base**.
- **ACCENSIONE DEL ROBOT:** Posizionare il robot sulla base o tenere premuto il pulsante **CLEAN** per 5-7 secondi fino all'accensione delle spie luminose.

Start je telefoon opnieuw op

- Zet de telefoon uit, wacht een paar minuten, zet 'm dan weer aan en maak verbinding met wifi.

Start je robot opnieuw op

- Pak de robot van het station en houd de **CLEAN** (REINIGEN)-knop op de robot 12 seconden ingedrukt. Zet de robot opnieuw aan door 'm op het station te zetten.

Start je router opnieuw op

- Haal de stroomkabel van de router 30 seconden uit het stopcontact en sluit 'm vervolgens weer aan. Geef je router enkele minuten de tijd om volledig te herstarten.

STAP 4 DOWNLOAD DE APP

SharkClean App-Functies

- ✓ Huis precies in kaart brengen
- ✓ Kamer selecteren
- ✓ Vlekken reinigen
- ✓ "Adgang forbudt"-zoner
- ✓ Planlægning



Zoek op 'SharkClean' in de appstore of scan de QR-code op de voorkant om de app te downloaden.

GEEN VERBINDING MET WIFI?



Vragen? Simpele stappen als u vastzit:

Heeft u problemen met het verbinden van uw robot?
Ga voor uitlegvideo's, veelgestelde vragen, probleemoplossing en tips & trucs naar: sharkclean.eu.
Voor een volledig instructieboekje

bezoek: qr.sharkclean.com/RV2820EU of
SCAN DIT MET UW SMARTPHONECAMERA

- Om de app te gebruiken, moet je telefoon verbonden zijn met een 2.4 GHz-netwerk. De app werkt niet op een 5 GHz-netwerk.
- Gebruik **GEEN** VPN of proxyserver.
- Zorg dat de wifi-isolatie is uitgeschakeld op de router.

VÓÓR JE SCHOONMAAKT

In de Explore Run dwaalt je robot door je huis terwijl die een plattegrond maakt.

Na deze ronde kun je tapijtzones aangeven in de delen van je huis die de robot moet vermijden tijdens het dweilen. Als je geen tapijtzones wilt aangeven, of geen vloerkleden hebt, kun je deze stap overslaan.

Nu ben je klaar om schoon te maken.

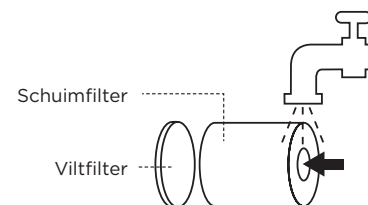
INTERACTIEVE PLATTEGROND MET TAPIJTZONES



HET FILTER VAN DE ROBOT REINIGEN

BELANGRIJK - Reinig het filter elke maand, anders kan er verlies van zuigkracht optreden.

Afspoelen en aan de lucht laten drogen. Tik tijdens het wassen het losse vuil zo nodig uit het filter.



Schuimfilters kunnen vies lijken na gebruik-dit is normaal.



Steek je handen **NIET** in openingen die niet beschreven zijn als gebruikerstoegang

BEPERKTE GARANTIE VAN TWEE (2) JAAR RV2820VEEU/AV2820VEEUWH

Als een klant een product in het Nederland koopt, kan de klant aanspraak maken op wettelijke rechten t.a.v. de kwaliteit van het product (uw "wettelijke rechten"). U kunt uw winkelier aan deze rechten houden. Maar bij Shark® zijn we zo overtuigd van de kwaliteit van onze producten, dat wij de originele eigenaar een extra fabrieksgarantie van maximaal twee jaar. voorwaarden hebben alleen betrekking op onze fabrieksgarantie - uw wettelijke rechten blijven hierbij gelden.

De onderstaande voorwaarden beschrijven de vereisten en omvang van onze garantie. Zij hebben geen invloed op uw wettelijke rechten of de verplichtingen van de verkoper van het product en uw overeenkomst met hen.

Shark®-batterijgarantie

Een huishoudelijk apparaat zoals een robotstofzuiger is een aanzienlijke investering. Uw nieuwe apparaat moet zo lang mogelijk correct werken.

De garantie bij het apparaat is een belangrijke afweging - en laat zien hoeveel vertrouwen de fabrikant in zijn product heeft en in de kwaliteit hiervan.

Ieder apparaat van Shark® wordt geleverd met garantie die onderdelen en arbeidskosten dekt. De helpdesk van onze klantenservice (0800- 862 0453) is bereikbaar van maandag t/m vrijdag tussen 09.00 en 18.00 uur. Het telefoonnummer is gratis en u wordt direct doorverbonden met een medewerker van Shark®. U kunt ook online ondersteuning vinden op www.sharkclean.eu.

Hoe registreer ik mijn uitgebreide Shark®-garantie?

U kunt uw garantie binnen 28 dagen na aankoop online registreren. Om tijd te besparen, heeft u de volgende informatie over uw apparaat nodig:

- Datum van aankoop van het apparaat (aankoop- of ontvangstbewijs).

Om online te registreren, gaat u naar www.Sharkclean.eu/uk/register-guarantee. Producten die rechtstreeks bij Shark® zijn gekocht, worden automatisch geregistreerd.

Wat valt er onder de gratis garantie van Shark®?

Reparatie of vervanging van uw Shark®-apparaat (naar eigen goeddunken van Shark), inclusief alle onderdelen en arbeid. Een garantie van Shark® is een aanvulling op uw wettelijke rechten als klant.

Wat zijn de voordelen van het registreren van mijn gratis Shark®-garantie?

Het belangrijkste voordeel is een jaar extra garantie. Als u uw garantie registreert, hebben wij uw gegevens bij de hand voor het geval wij contact met u op moeten nemen. Als u daarmee instemt, kunt u ook tips en adviezen ontvangen over hoe u het meest optimale resultaat kunt halen uit uw robotstofzuiger van Shark® en op de hoogte worden gehouden van de laatste technologieën en nieuwe producten van Shark®.

Als u uw garantie online registreert, krijgt u onmiddellijk een bevestiging dat wij uw gegevens hebben ontvangen.

Hoe lang krijg ik garantie op een nieuw apparaat van Shark®?

Omdat we vertrouwen hebben in ons design en onze kwaliteit heeft uw nieuwe Shark® robotstofzuiger een garantie twee jaar totaal.

Waar kan ik originele onderdelen en accessoires van Shark® kopen?

Reserveonderdelen en accessoires van Shark® zijn ontworpen door dezelfde engineers die uw Shark® robotstofzuiger hebben gemaakt. U vindt een uitgebreid assortiment Shark®-onderdelen, -reserveonderdelen en -accessoires voor alle apparaten van Shark® op www.sharkclean.eu.

Houd er rekening mee dat schade die is veroorzaakt door het gebruik van niet-originele Shark®-reserveonderdelen niet onder de garantie valt.

Wat valt er niet onder de gratis garantie van Shark®?

1. Normale slijtage van onderdelen die regelmatig onderhoud en/of vervanging vereisen om de goede werking van uw apparaat te garanderen vallen niet onder deze garantie. Vervangingsonderdelen zijn te koop op sharkclean.eu.
2. Elk apparaat waarmee is geknoeid of dat is gebruikt voor commerciële doeleinden.

3. Onbedoelde schade, fouten veroorzaakt door nalatig gebruik en onderhoud, verkeerd gebruik, nalatigheid, onachtzame bediening of gebruik van de robotstofzuiger dat niet overeenkomt met wat er in het instructieboekje van Shark® staat. Dit boekje wordt met het apparaat meegeleverd.

4. Het gebruik van onderdelen die niet gemonteerd of geïnstalleerd zijn overeenkomstig de bedieningsinstructies.

5. Verkeerde installatie (behalve als het door Shark® is geïnstalleerd.).

6. Reparaties of wijzigingen uitgevoerd door derden, anders dan Shark® of vertegenwoordigers daarvan.

ZORGVULDIG DOORLEZEN EN BEWAREN VOOR TOEKOMSTIG GEBRUIK.

Deze instructies zijn bedoeld om u te helpen uw Shark Matrix Robot topprestaties te laten leveren.

SharkNinja Europe Limited,
3150 Century Way,
Thorpe Park,
Leeds,
LS15 8ZB

SharkNinja Germany GmbH,
Rotfeder-Ring 9,
60327 Frankfurt am Main, Germany
sharkclean.eu

De afbeeldingen kunnen afwijken van het werkelijke product. Wij streven er constant naar om onze producten te verbeteren; daarom zijn de specificaties in dit document onderhevig aan wijzigingen zonder voorafgaande kennisgeving.

VIKTIGE SIKKERHETSINSTRUKSJONER

LES NØYE FØR BRUK • KUN TIL HJEMMEBRUK

⚠ ADVARSEL

For å redusere fare for brann, elektrisk støt, personskade eller skade på eiendom:

BARN ELLER DYR SKAL IKKE VÆRE UTEN TILSYN I NOEN ROM SOM ROBOTSTØVSUGEREN HAR TILGANG TIL UNDER RENGJØRING.

LASER-ADVARSEL

DETTE PRODUKTET HAR EN LASER KLASSE 1. SLÅ ALLTID AV STRØMMEN FØR DU LØFTER ROBOTSTØVSUGEREN ELLER UTFØRER NOEN FORM FOR VEDLIKEHOLD PÅ DEN. IKKE SE DIREKTE INN I LASEREN

TA KONTAKT MED EN KVALIFISERT ELEKTRIKER HVIS LADEKABELSTØPSELET IKKE PASSER HELT I STIKKONTAKTEN. IKKE BRUK MAKT ELLER PRØV Å MODIFISERE DEN FOR Å PASSE DEN INN I STIKKONTAKTEN.

GENERELLE ADVARSLER

Ved bruk av elektriske apparater bør grunnleggende sikkerhetsregler alltid følges, inkludert følgende:

- Dette apparatet består av en robotgulvrensener og ladestasjon med støpsel. Disse komponentene inneholder elektriske koblinger, elektriske ledninger og bevegelige deler som kan utgjøre en risiko for brukeren.
- Kontroller alle deler nøye for eventuelle skader før hver bruk. Hvis en del er skadet, skal den ikke brukes.
- Bruk kun identiske reservedeler. Slå opp siden om reservetilbehør i dette heftet.
- Denne robotgulvrenseneren inneholder ingen deler som brukeren kan utføre reparasjoner på.
- Bruk kun som beskrevet i denne håndboken. IKKE bruk robotgulvrenseneren til noe annet formål enn de beskrevet i denne håndboken.
- Med unntak av filtre, støvdeksler og puter, må du IKKE utsette noen deler av robotgulvrenseneren for vann eller andre væsker.
-  **IKKE putt hendene inn i noen av åpningene i ladestasjonen eller roboten.**

Advarsler FOR BRUK

- Dette produktet har en laser klasse 1. Slå alltid av strømmen før du løfter robotstøvsugeren eller utfører noen form for vedlikehold på den.
- IKKE** se direkte inn i laseren.
- Slå alltid av robotstøvsugeren før du setter inn eller fjerner filteret.
- IKKE** håndter plugg, ladestasjon, ladekabel eller robotgulvrenseneren med våte hender. Rengjøring og vedlikehold skal ikke utføres av barn uten tilsyn
- Barn skal **IKKE** leke med apparatet.
- Denne enheten kan brukes av barn som er 8 år eller eldre og personer med reduserte fysiske, sensoriske eller mentale evner eller mangel på erfaring og kunnskap, hvis de har tilsyn eller gis veiledning om bruken av enheten på en sikker måte og forstår farene som er involvert.

- IKKE** bruk roboten uten støvbeholder, filter og væsketank.
- IKKE** skad ladekabelen:
 - IKKE** trekk eller bær ladestasjonen etter ledningen eller bruk ledningen som håndtak.
 - IKKE** trekk ut støpselet ved å trekke i ledningen. Trekk i pluggen, ikke ledningen.
 - IKKE** lukk en dør over ledningen, trekk ledningen rundt skarpe hjørner eller etterlat ledningen i nærheten av oppvarmede overflater.
 - Tilførselsledningen kan **IKKE** erstattes. Hvis det er skade på ledningen, bør apparatet kastes.
- IKKE** stikk gjenstander inn i munnstykke eller tilbehørsåpninger. **IKKE** bruk med noen av åpningene blokkert – hold åpningene frie for støv, lo, hår og annet som kan hindre luftstrømmen.
- IKKE** bruk robotgulvrenseneren mens luftbanen er blokkert eller hindret på noe vis. Hvis luftbanen blokkeres, må du slå av støvsugeren og fjerne alle hindringer før enheten skrur på igjen.
- Hold munnstykket og alle støvsugeråpninger borte fra hår, ansikt, fingre, utildekte føtter eller løse klær.
- IKKE** bruk robotgulvrenseneren hvis den ikke fungerer som den skal eller har blitt mistet i gulvet, skadet, satt igjen utendørs eller blitt mistet i vann.
- IKKE** plasser robotstøvsugeren på ustabile flater.
- IKKE** bruk til å plukke opp:
 - Væsker.
 - Store gjenstander.
 - Harde eller skarpe gjenstander (glass, spiker, skruer eller mynter).
 - Store mengder støv (fra tørrvegger, aske fra ovn eller glør).
 - IKKE bruk som et tilbehør til verktøy for støvsamling.
 - Røykende eller brennende gjenstander (varmt kull, sigarettneiper eller fyrstikker).

- Brennbare eller eksplosive materialer (lightervæske, bensin eller parafin).
 - Giftige materialer (klorblekemiddel, ammoniakk eller avløpsrensemiddel).
 - Giftige materialer (høye konsentrasjoner av klørrensemiddel, høye konsentrasjoner av ammoniakk eller avløpsrenseoppløsninger).
- IKKE** bruk i følgende områder:
 - Utendørsområder nær peiser med åpne tilganger.
 - Områder som er innelukket og kan inneholde eksplosive eller giftige gasser eller damp (lighterbensin, bensin, parafin, maling, malingstynnere, møllbeskyttende stoffer eller brennbart støv).
 - I et område med en romvarmer.
 - Nær peiser med åpne tilganger.
 - Slå av robotgulvrenseneren før justering, rengjøring, vedlikehold eller feilsøking. Merk: I stillingen AV (O) bruker roboten fortsatt en liten mengde strøm.
 - La alle filtre lufttørke helt før du setter dem tilbake for å hindre at væske trekkes inn i de elektriske delene.
 - IKKE** endre eller forsøk å reparere robotstøvsugeren eller batteriet selv, bortsett fra som indikert i denne brukerhåndboken. **IKKE** bruk robotstøvsugeren dersom den har blitt modifisert eller skadet.
 - IKKE** bruk husholdningsrengjøringsmidler (for alle typer rengjøring, glassrengjøringsmidler, blekemiddel) på noen av de polerte, høyglansede overflatene på ladestasjonen eller robotstøvsugeren da de inneholder kjemikalier som kan skade disse overflatene. Bruk heller en klut fuktet med vann for å rengjøre forsiktig.
 - For å minimere risikoen for at roboten beveger seg utenfor en usikker grense (trapper eller avsatskanter, peiser, vannfarer), etablerer du helt enkelt disse områdene som forbudte soner ved å bruke kartleggingsfunksjonen i mobilappen SharkClean. Når du har angitt grensene kjører du støvsugeren for å visuelt bekrefte at innstillingene effektivt hindrer roboten i å passere utover den angitte grensen. Juster innstillinger etter behov. De som ikke bruker appen kan bruke en fysisk grense for å blokkere en utrygg grense.

BATTERIBRUK

- Batteriet er strømkilden til støvsugeren. Les nøye gjennom og følg alle ladeinstruksjoner.
- For å forhindre utilsiktet start, sikre at støvsugeren er slått av før du plukker den opp eller bærer den. **IKKE** bær apparatet med fingeren på strømbryteren.
- Bruk KUN Shark® ladebase XDKRV2820VEEU/XDKAV2820VEEU og bruk kun batteri RVBAT850A. Bruk av andre batterier eller batteriladere enn angitt kan medføre brannfare.
- Hold batteriet vekk fra metallgjenstander som binders, mynter, nøkler, spikre eller skruer. Å kortslutte batteriterminalene sammen øker risikoen for brann eller brannskader.
- Ved feil bruk kan væsker lekke ut fra batteriet. Unngå kontakt med denne væsken, da den kan føre til irritasjon eller brannskader. Skyll av med vann hvis det likevel skulle oppstå kontakt. Oppsøk medisinsk hjelp dersom væsken kommer i kontakt med øynene.
- Robotstøvsugeren skal ikke lagres, lades eller brukes ved temperaturer under 10 °C eller over 40 °C. Forsikre deg om at batteriet og støvsugeren har nådd romtemperatur før lading eller bruk. Hvis du utsetter roboten eller batteriet for forhold utenfor dette temperaturomfanget, kan det skade batteriet og øke risikoen for brann.
- IKKE** eksponer våt/tørr-robotgulvrenseneren eller batteriet for flammer eller temperaturer over 130 °C, da dette kan forårsake eksplosjon.

FORBUDTE SONER OG BOTBOUNDARY-LISTER

- IKKE** legg BotBoundary-lister under tepper eller matter.
- IKKE** plasser BotBoundary-lister på toppen av hverandre.
- Bruk alltid BotBoundary-lister rundt reflektive gulvbelegg og overflater.
- Forbudte soner eller BotBoundary-lister skal alltid brukes i nærheten av teppebelagte trapper.
- IKKE** bruk forbudte soner eller BotBoundary-lister innen 3 meter fra ladestasjonen.
- For at robotens sensorer for avsats er skal fungere ordentlig, må alle løpere, tepper eller små terskler (som på sikkerhetsgrinder for barn) være minst 20 cm fra trapper (eller de må strekke seg kontinuerlig og gå over kanten på trappene). Hvis en løper- eller teppekant eller liten terskel er mindre enn 20 cm fra trappene og ikke kan flyttes, må du bruke en forbudt sone eller BotBoundary-magnetbånd for å blokkere trappen.

TA VARE PÅ DISSE INSTRUKSJONENE

For de siste oppdaterte advarsler og forholdsregler, gå til www.sharkclean.eu/robohelp

Sørg for at du leser Shark*-eierhåndboken på nett før du bruker roboten din.

Shark POWERDETECT

HURTIGSTARTVEILEDNING

LAST NED SHARKCLEAN-APPEN



Skann QR-kode med kameraet på telefonen din for å raskt finne og laste ned appen.

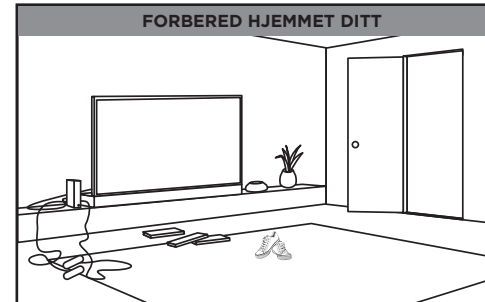
SLUTTBRUKERS LISENSAVTALE FOR SHARKNINJA-PROGRAMVARE

sharkclean.eu/NO-EULA

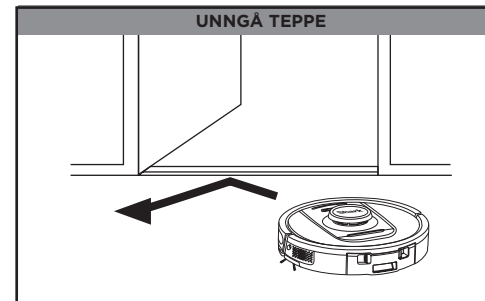
sharkclean.eu

FÅ MEST MULIG UT AV ROBOTEN DIN

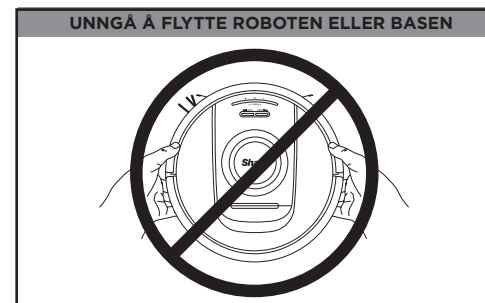
For å få best mulig resultat, last ned SharkClean-appen og følg tipsene nedenfor.



Power Detect-roboten unngår ledninger, men for best mulig dekning og rengjøring bør du fjerne ledninger og gjenstander som er mindre enn 11 cm høye fra gulvet. Åpne innerdørene for å sikre en fullstendig kartlegging av boligen.



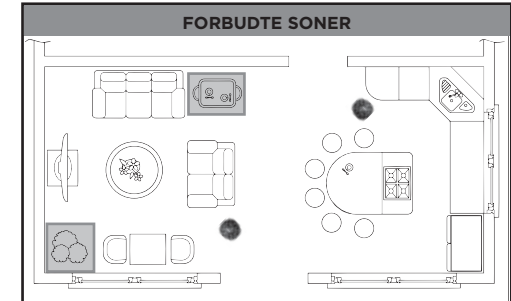
Roboten kan enkelt klatre over de fleste terskler, men hvis en terskel er høyere enn 2,5 cm, bør du opprette en forbudssone i appen for å sperre den av.



Når roboten rengjør, må du ikke ta den opp og flytte den eller flytte den selvømmende dokken - dette vil påvirke robotens evne til å kartlegge hjemmet ditt.

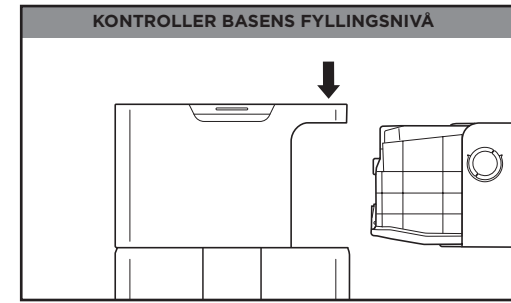


- For å holde gulvet konstant rent kan du sette opp et tidsskjema for rengjøring av hele hjemmet i appen.
- Bruk det interaktive kartet for hjemmet for en enda mer tilpasningsbar rengjøring.



Opprett forbudte soner i appen for å holde roboten utenfor de områdene du vil at den skal unngå:

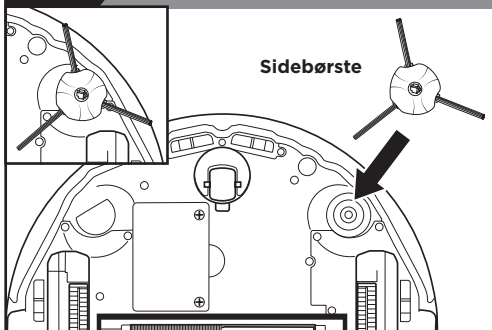
- I nærheten av strømledninger eller telefonladere.
- Foran høye terskler.



Basen er designet for å holde ukevis med rusk. Under innledende bruk vil du kanskje måtte tømme den oftere, da roboten kan finne mer rusk enn vanlig. Kontroller fyllingsnivået regelmessig for å vite når du skal tømme.

OPPSETT

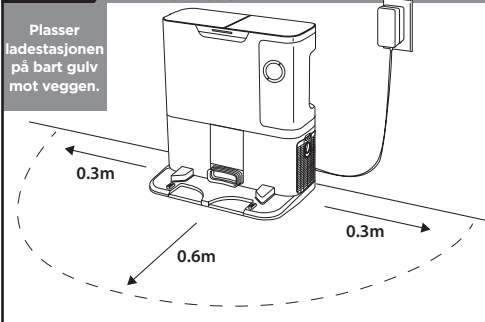
TRINN 1 FORBERED ROBOTEN



- Fjern den beskyttende filmen fra roboten og basen.
- Fest sidekost.

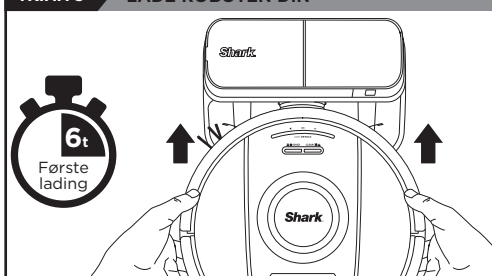
TRINN 2 SETTE OPP DEN SELVTØMMENDE LADESTASJONEN

Plasser ladestasjonen på bart gulv mot veggen.



- Finn en **permanent** plassering for ladestasjonen i et sentralt område med **god Wi-Fi-dekning**.
- Fjern gjenstander som er nærmere enn 1 m fra hver side av basen, eller nærmere enn 1,5 meter fra fronten av basen.
- Koble ladestasjonen til strøm.

TRINN 3 LADE ROBOTEN DIN



- Plasser roboten på ladestasjonen for oppladning i 6 timer.
- Når roboten er riktig justert med **BAKSIDEN** mot ladestasjonen, vil **ladeikonet** ⚡ øverst til høyre på ladestasjonen lyse opp og batteriikonet 🔋 på roboten vil lyse opp.
- Sørg for at roboten er riktig plassert på **ladestasjonen**.
- **SLIK SLÅR DU PÅ ROBOTEN:** Plasser roboten på ladestasjonen eller trykk og hold **RENGJØR** -knappen i 5 til 7 sekunder inntil indikatorlysene slås på.

Start telefonen din på nytt

- Slå av telefonen, vent i noen minutter og slå den deretter på igjen og koble til Wi-Fi.

Tilbakestill roboten din

- Ta roboten av basen og trykk og hold inne **RENGJØR**-knappen på roboten i 12 sekunder. Slå roboten din på igjen ved å plassere den på basen.

Tilbakestill ruterens din

- Trekk ut ruterens strømkabel i 30 sekunder, plugg den deretter inn igjen. La det gå flere minutter til ruterens har fullstendig startet opp igjen.

TRINN 4 LAST NED APPEN

SharkClean-appfunksjoner

- ✓ Presisjonskartlegging av hjem
- ✓ Velg rom
- ✓ Punktrengjøring
- ✓ Forbudte soner
- ✓ Tidsskjema



Søk etter «SharkClean» i app-butikken eller skann QR-koden på frontdekelet for å laste ned appen.

KAN DU IKKE KOBLE TIL WI-FI?



Spørsmål? Enkle trinn hvis du står fast: Har du problemer med å koble til roboten?

For videoer om fremgangsmåter, vanlige spørsmål, feilsøking og tips og triks, besøk sharkclean.eu.

For full informasjonsbrosjyre besøk:

qr.sharkclean.com/RV2820EU eller **SKANN HER VED Å BRUKE KAMERA PÅ MOBILTELEFONEN DIN**

- For å bruke appen må telefonen din være koblet til et nettverk med 2,4 GHz. Appen fungerer ikke på 5 GHz-nettverk.
- **IKKE** bruk VPN- eller proksserverer.
- Sørg for at Wi-Fi-isolasjon er slått av på ruterens.

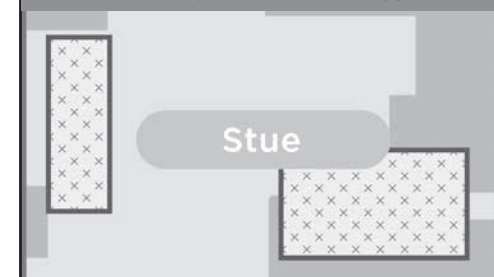
FØR DU RENGJØR

Under Utforskningskjøring vil roboten vandre rundt i hjemmet ditt mens den lager et kart.

Etter denne kjøringen kan du opprette Teppesoner i områdene i hjemmet ditt som du vil roboten skal unngå under. Hvis du ikke ønsker å sette opp Teppesoner, eller ikke har tepper eller matter i hjemmet ditt, kan du hoppe over dette trinnet.

Nå er du klar til å rengjøre.

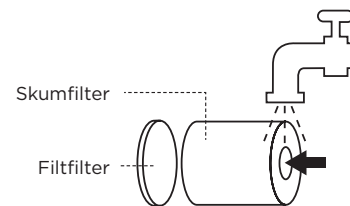
INTERAKTIVT KART MED TEPPESONER



BYTTE ROBOTENS FILTER

VIKTIG - Rens filteret hver måned, ellers vil sugekraften bli redusert.

Skyll og la lufttørke helt. Kakk også løs smuss av filtrene ved behov fra gang til gang.



Skumfiltre kan se skitne ut etter bruk - dette er normalt.



IKKE før hendene inn i åpninger som ikke er definert for brukertilgang

Når forbrukere kjøper et produkt i Europa, nyter de godt av lovmessige rettigheter relatert til produktets kvalitet (dine «lovfestede rettigheter»). Du kan håndheve disse rettighetene hos forhandleren din. Hos Shark® har vi imidlertid så stor tiltro til kvaliteten på våre produkter at vi produkteieren en produsentgaranti på to år. Disse vilkårene og betingelsene gjelder kun for produsentgarantien vår – dine lovfestede rettigheter påvirkes ikke.

Betingelsene nedenfor beskriver forutsetningene for og omfanget av garantien vår. De påvirker ikke dine lovfestede rettigheter eller forhandlerens forpliktelser og din kontrakt med dem.

Shark®-garantier

Et husholdningsapparat som en robotstøvsugerer utgjør en betydelig investering. Din nye maskin må fungere riktig så lenge som mulig. Garantien den kommer med er en viktig faktor – og viser hvor stor tillit produsenten har til produktet sitt og sin produksjonskvalitet.

Hver Shark®-maskin leveres med en gratis dele- og arbeidskraftsgaranti. Vår kundeservice-telefon (0800 862 0453) er åpen fra kl. 9.00 til 18.00, mandag-fredag. Det er gratis å ringe, og du vil bli satt rett over til en Shark®-representant. Du finner også nettsøtte på www.sharkclean.eu

Hvordan registrerer jeg min utvidede Shark®-garanti?

Du kan registrere garantien din på nettet innen 28 dager etter kjøpet. For å spare tid, trenger du følgende informasjon om maskinen:

- Kjøpsdato for maskinen (kvittering eller følgeseddel).

For å registrere på nett, gå til www.Sharkclean.eu/uk/register-guarantee. Merk at produkter kjøpt direkte fra Shark® blir automatisk registrert.

Hva dekkes av den gratis Shark®-garantien?

Reparasjon eller bytte (etter Sharks skjønn) av Shark®-maskinen din, inkludert alle deler og arbeid. En Shark®-garanti kommer i tillegg til dine lovfestede rettigheter som forbruker.

Hva er fordelene ved å registrere min gratis Shark®-garanti?

Etter at du har registrert garantien din, har vi personopplysningene dine tilgjengelig hvis vi trenger å kontakte deg. Hvis du videre godtar å motta kommunikasjon fra oss, kan du også få tips og råd om hvordan du best utnytter din Shark®- robotstøvsugerer samt oppdateringer om vår nye Shark®-teknologi og nye lanseringer.

Hvis du registrerer garantien på nett, får du umiddelbart bekreftelse på at vi har mottatt personopplysningene dine.

Hvor lenge er nye Shark®-maskiner garantert for?

Vår tiltro til designen vår og kvalitetskontrollen betyr at din nye Shark®- robotstøvsugerer er garantert for totalt opptil to år.

Hvor kan jeg kjøpe originale Shark®-reservedeler og tilbehør?

De samme ingeniørene som har utviklet din Shark®- robotstøvsugerer har også utviklet vårt utvalg av Shark®- reservedeler og -tilbehør. Du finner et komplett utvalg av reservedeler fra Shark® og tilbehør for alle Shark®- maskiner på www.sharkclean.eu.

Husk at skade forårsaket av bruk av reservedeler som ikke er fra Shark®, ikke dekkes av garantien din.

Hva dekkes ikke av den gratis Shark®-garantien?

1. Normal slitasje på bruksdeler som krever regelmessig vedlikehold og/eller utskifting for å sikre at enheten fungerer riktig er ikke dekket av denne garantien. Erstatningsdeler er tilgjengelig for kjøp på sharkclean.eu
2. Enhver enhet som har blitt tuklet med eller brukt til kommersielle formål.

3. Utilsiktet skade og feil forårsaket av uaktsom bruk eller vedlikehold, misbruk, uforsiktig bruk eller enhver annen håndtering av robotstøvsugerer som ikke er i samsvar med Shark®-instruksjonsheftet som fulgte med maskinen din.

4. Bruk av deler som ikke er satt sammen eller installert i henhold til instruksjonene.

5. Feilaktig installering (unntatt når installeringen ble utført av Shark®).

6. Reparasjoner og endringer utført av andre enn Shark® eller deres representanter.

LES NØYE GJENNOM BRUKSANVISNINGEN OG OPPBEVAR DEN FOR FREMTIDIG REFERANSE.

Disse instruksjonene er laget for å hjelpe deg med å få topp ytelse fra Shark-støvsugerer.

SharkNinja Europe Limited,
3150 Century Way,
Thorpe Park,
Leeds,
LS15 8ZB, Storbritannia

SharkNinja Germany GmbH,
Rotfeder-Ring 9,
60327 Frankfurt am Main, Germany
sharkclean.eu

Illustrasjonene kan avvike fra det faktiske produktet. Vi tilstreber hele tiden å forbedre produktene våre, derfor kan spesifikasjonene nevnt her bli endret uten videre varsel.

INSTRUÇÕES DE SEGURANÇA IMPORTANTES

LEIA ATENTAMENTE ANTES DE UTILIZAR • APENAS PARA USO DOMÉSTICO

AVISO

Para reduzir o risco de incêndio, choque elétrico, lesão ou danos materiais:

NÃO DEVE DEIXAR CRIANÇAS NEM ANIMAIS SEM SUPERVISÃO EM DIVISÕES A QUE O ASPIRADOR ROBÓTICO TENHA ACESSO DURANTE A LIMPEZA.


AVISO DE LASER

ESTE PRODUTO TEM UM LASER DE CLASSE 1. DESLIGUE SEMPRE A ENERGIA ANTES DE LEVANTAR O ASPIRADOR ROBÓTICO OU REALIZAR QUALQUER MANUTENÇÃO NO MESMO. NÃO OLHE DIRETAMENTE PARA O LASER.

SE A FICHA DO CABO DE CARREGAMENTO NÃO COUBER TOTALMENTE NA TOMADA, CONTACTE UM ELETRICISTA QUALIFICADO. NÃO A FORCE A ENTRAR NA TOMADA, NEM TENTE MODIFICÁ-LA PARA CABER.

AVISOS GERAIS

Ao utilizar um aparelho elétrico, deve seguir sempre as precauções básicas, incluindo as seguintes:

- Este aparelho é composto por um aspirador robótico para piso e por um terminal de carregamento com fonte de alimentação. Estes componentes contêm ligações elétricas, fios elétricos e peças móveis, que apresentam um potencial risco para o utilizador.
- Antes de cada utilização, verifique cuidadosamente todas as peças quanto a possíveis danos. Se uma peça estiver danificada, interrompa a utilização.
- Utilize apenas peças sobresselentes idênticas. Consulte a página de acessórios de substituição deste manual.
- Este aspirador robótico para piso não contém peças que possam ser reparadas
- Utilize apenas conforme as instruções deste manual. NÃO utilize o aspirador robótico para piso molhado/seco para qualquer outra finalidade além das descritas neste manual.
- À exceção dos filtros, depósitos do pó e esfregonas, **EVITE ABSOLUTAMENTE** o contacto de quaisquer peças do aspirador robótico para piso com água ou outros líquidos.
-  **NÃO coloque as mãos em qualquer abertura do terminal ou do robô.**

Avisos de UTILIZAÇÃO

- Este produto tem um laser de classe 1. Desligue sempre a energia antes de levantar o aspirador robótico ou realizar qualquer manutenção no mesmo.
- NÃO** olhe diretamente para o laser.
- Desligue sempre o aspirador robótico antes de inserir ou retirar o filtro, o depósito de pó.
- NÃO** manuseie a ficha, o terminal de carregamento, o cabo de carregamento nem o aspirador robótico para piso molhado/seco com as mãos molhadas. A limpeza e manutenção pelo utilizador não devem ser realizadas por crianças sem supervisão
- As crianças **NÃO** devem brincar com o aparelho.
- Este aparelho pode ser utilizado por crianças com idade igual ou superior a 8 anos e pessoas com capacidades físicas, sensoriais ou mentais reduzidas, ou com falta de experiência e conhecimento, caso tenham supervisão ou tenham recebido instruções sobre como utilizar o aparelho em segurança

e compreendam os perigos envolvidos.

- NÃO** utilize o robô sem o depósito de pó, o filtro e o reservatório.
- NÃO** danifique o cabo de carregamento:
 - NÃO** puxe ou transporte o terminal de carregamento segurando pelo cabo, nem utilize o cabo como uma pega.
 - NÃO** desligue da tomada puxando pelo cabo. Segure a tomada e não o cabo.
 - NÃO** feche uma porta pela qual passe o cabo, não puxe o cabo junto a esquinas acentuadas nem deixe o cabo perto de superfícies aquecidas.
 - O cabo de alimentação não pode ser substituído. Se o cabo estiver danificado, o aparelho deve ser eliminado.
- NÃO** coloque quaisquer objetos no bocal nem nas aberturas dos acessórios. **NÃO** utilize se alguma abertura estiver bloqueada; mantenha livre de poeira, coção, pelos e qualquer outro objeto que possa reduzir o fluxo de ar.
- NÃO** utilizar se o fluxo de ar do aspirador robótico para piso estiver obstruído. Se as vias de ar ficarem obstruídas, desligue o aspirador e remova todas as obstruções antes de voltar a ligar a unidade.
- Mantenha o bocal e todas as aberturas do aspirador longe do cabelo, da cara, dos dedos, de pés descobertos ou de roupas largas.
- NÃO** utilize se o aspirador robótico para piso não estiver a funcionar corretamente ou se tiver caído, se tiver sido danificado, se tiver sido deixado ao ar livre ou tiver caído na água.
- NÃO** coloque o aspirador em superfícies instáveis.
- NÃO** utilize para apanhar:
 - Líquidos.
 - Objetos grandes.
 - Objetos duros ou afiados (vidro, pregos, parafusos ou moedas).
 - Grandes quantidades de pó (serradura, cinzas de lareira ou brasas.)
 - NÃO** utilize como acessório de ferramentas elétricas para recolha de pó.
 - Objetos a deitar fumo ou a arder (brasas quentes, pontas de cigarros ou fósforos).
 - Materiais inflamáveis ou combustíveis (líquido para isqueiros, gasolina ou querosene).

h) Materiais tóxicos (lixívia, amoníaco ou produtos de limpeza de canos).

i) Materiais tóxicos (com uma grande concentração de lixívia, com uma grande concentração de amoníaco ou soluções de limpeza de canos).

22. NÃO utilize nas seguintes áreas:

- Áreas exteriores perto de lareiras com entradas desobstruídas
- Espaços fechados e que possam conter gases ou vapores explosivos ou tóxicos (líquido de isqueiro, gasolina, querosene, tinta, diluentes, substâncias de tratamento contra traças ou pó inflamável
- Numa zona com um aquecedor
- Perto de lareiras com entradas desobstruídas.

23. Desligue o aspirador robótico para piso antes de qualquer ajuste, limpeza, manutenção ou resolução de problemas. Nota: na posição DESLIGADO (O), o robô continua a consumir uma pequena quantidade de energia.

24. Deixe que todos os filtros sequem completamente antes de voltar a colocá-los no aspirador para evitar que algum líquido seja sugado para dentro das peças elétricas.

25. NÃO modifique ou tente reparar o aspirador robótico ou a bateria por si próprio, exceto conforme indicado neste Guia do Utilizador. **NÃO** utilize o aspirador se tiver sido modificado ou danificado.

26. NÃO utilize nenhum produto de limpeza doméstico (lava-tudo, limpa-vidros, lixívia) em nenhuma superfície polida de muito brilho na estação do terminal ou no aspirador robótico, uma vez que contêm químicos que podem danificar essas superfícies. Em vez disso, utilize um pano humedecido com água para limpar suavemente.

27. Para minimizar o risco de o robô ultrapassar um limite inseguro (bordas de escadas/desniveis, lareiras, zonas com água), defina estas áreas como “áreas a evitar” através da funcionalidade de mapeamento da aplicação móvel SharkClean. Após definir o limite da área de funcionamento, ligue o aspirador e confirme visualmente que as definições impedem, de facto, o robô de ultrapassar esse limite. Ajuste as definições conforme necessário. Os utilizadores que não têm a aplicação devem utilizar uma barreira física para bloquear um limite inseguro.

UTILIZAÇÃO DA BATERIA

- A bateria é a fonte de alimentação do aspirador. Leia atentamente e siga todas as instruções de carregamento.
- Para evitar o funcionamento não intencional, certifique-se de que o aspirador está desligado antes de pegar nele ou de o transportar. **NÃO** transporte o aparelho com o dedo no interruptor de alimentação.
- Utilize apenas o terminal de carregamento XDKRV2820VEEU/XDKAV2820VEEU e a bateria RVBAT850A da Shark*. A utilização de baterias ou carregadores de baterias diferentes dos indicados pode criar um risco de incêndio.
- Mantenha a bateria longe de todos os objetos de metal, como cliques de papel, moedas, chaves, pregos ou parafusos. O curto-circuito dos terminais da bateria aumenta o risco de incêndio ou queimaduras.
- Em condições de uso abusivo, podem sair líquidos da bateria. Evite o contacto com estes líquidos, uma vez que podem causar irritação ou queimaduras. Se houver contacto, lave com água. Se os líquidos entrarem em contacto com os olhos, procure assistência médica.
- O aspirador robótico não deve ser guardado, carregado ou utilizado a temperaturas abaixo de 10 °C (50 °F) ou acima de 40 °C (104 °F). Certifique-se de que a bateria e o aspirador atingiram a temperatura ambiente antes de o carregar ou utilizar. Expor o robô ou a bateria a temperaturas fora deste intervalo pode danificar a bateria e aumentar o risco de incêndio.
- NÃO** exponha o aspirador robótico para piso molhado/seco, ou a bateria, ao fogo ou a temperaturas acima de 130 °C (265 °F), uma vez que isso pode causar uma explosão.

ÁREAS A EVITAR E FITAS DELIMITADORAS DA ÁREA DE FUNCIONAMENTO DO ROBÔ

- NÃO** coloque as fitas delimitadoras da área de funcionamento do robô debaixo de alcatifas ou tapetes.
- NÃO** aplique fitas delimitadoras da área de funcionamento do robô umas sobre as outras.
- Utilize sempre as áreas a evitar ou fitas delimitadoras da área de funcionamento do robô em torno de superfícies e pavimentos refletoras.
- Deve utilizar sempre as áreas a evitar ou fitas delimitadoras da área de funcionamento do robô junto a escadas atapetadas.
- NÃO** utilize as áreas a evitar nem as fitas delimitadoras da área de funcionamento do robô a uma distância igual ou inferior a 3 m do terminal.
- Para que os sensores de desnível do robô funcionem devidamente, todos os tapetes, carpetes, passadeiras, alcatifas ou pequenas soleiras (como portões infantis) têm de estar a uma distância de 20 cm de escadas (ou têm de ser contínuos e estender-se para além da borda das escadas). Se não for possível deslocar uma borda de um tapete, carpete, passadeira ou alcatifa que esteja a menos de 20 cm das escadas, tem de utilizar uma área a evitar ou uma fita delimitadora da área de funcionamento do robô para bloquear as escadas.

GUARDE ESTAS INSTRUÇÕES

Para conhecer os avisos e precauções mais recentes, visite a página www.sharkclean.co.uk/robothelp

Shark POWERDETECT

GUIA DE INÍCIO RÁPIDO

TRANSFIRA A APLICAÇÃO SHARKCLEAN



Efetue a leitura do código QR com a câmara do seu telemóvel para encontrar rapidamente a aplicação e transferi-la

CONTRATO DE LICENÇA DE UTILIZADOR FINAL DO SOFTWARE SHARKNINJA

APROVEITE AO MÁXIMO O ROBÔ

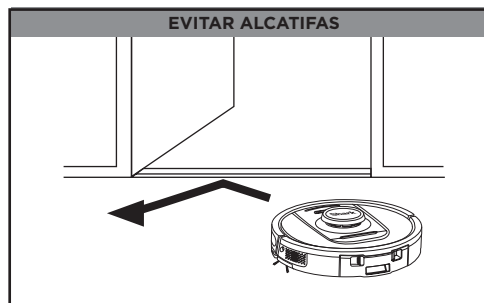
Para obter a melhor experiência, transfira a aplicação SharkClean e siga as dicas abaixo.

PREPARAR A SUA CASA



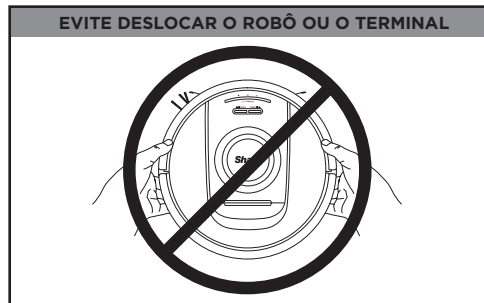
O seu robô Power Detect evitará fios, mas, para a melhor cobertura e limpeza, retire do chão fios e objetos com menos de 11 cm de altura. Para assegurar um mapa completo da sua casa, abra as portas interiores.

EVITAR ALCATIFAS



O seu robô consegue passar facilmente por cima da maioria das soleiras, mas se uma delas tiver uma altura superior a 2,5 cm, defina uma zona interdita na aplicação para o bloquear.

EVITE DESLOCAR O ROBÔ OU O TERMINAL



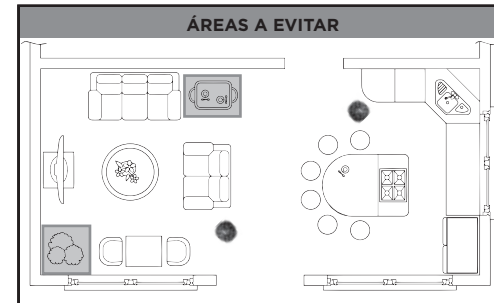
Enquanto o robô estiver a limpar, não pegue nele nem o desloque, nem mova a base de esvaziamento automático - isso irá afetar a capacidade do robô para mapear a sua casa.

AGENDAMENTO E MAPA INTERATIVO



- Para um estado de limpeza constante, configure um horário para a limpeza de toda a casa na aplicação.
- Utilize o mapa interativo da casa para uma limpeza ainda mais personalizada.

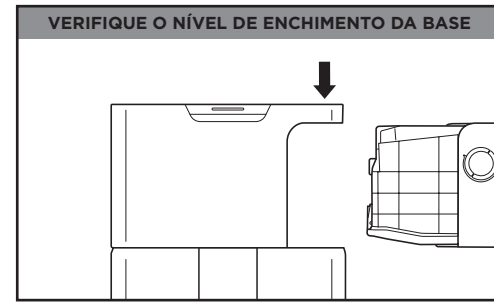
ÁREAS A EVITAR



Crie áreas a evitar na aplicação, para manter o robô afastado das áreas que pretende que este evite:

- Perto de cabos de alimentação ou carregadores de telefones.
- Diante de soleiras altas.

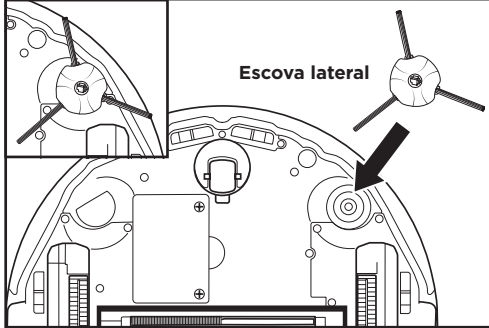
VERIFIQUE O NÍVEL DE ENCHIMENTO DA BASE



A base foi concebida para conter semanas de resíduos. Durante a fase inicial de utilização, pode ter de o esvaziar com mais frequência porque o robô encontrará mais detritos do que o habitual. Verifique o nível de enchimento regularmente para saber quando deve esvaziar.

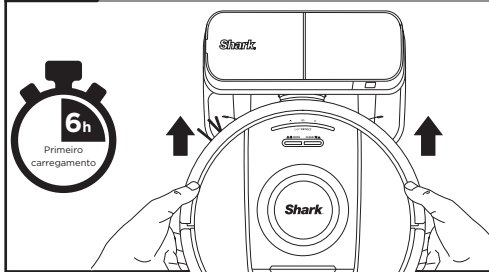
CONFIGURAÇÃO

PASSO 1 PREPARAR O ROBÔ



- Retire a película protetora do robô e do terminal.
- Coloque a escova lateral.

PASSO 3 CARREGAR O SEU ROBÔ



- Coloque o robô na base para carregar **durante 6 horas**.
- Quando o robô estiver devidamente alinhado, com a **TRASEIRA** encostada à base, o **ícone de carregamento** ⚡ no lado superior direito da base e o ícone da bateria 🔋 acenderão.
- Certifique-se de que o robô está devidamente alinhado com a **base**.
- **PARA LIGAR O ROBÔ:** Coloque o robô na base ou prima o botão **LIMPAR** 🧹 durante 5 a 7 segundos até que as luzes indicadoras acendam.

Reinicie o telefone

- Desligue o telefone, aguarde alguns minutos e depois volte a ligá-lo e estabeleça a ligação à rede Wi-Fi.

Reinicie o robô

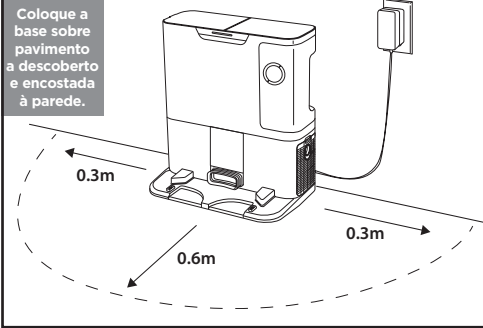
- Retire o robô do terminal e prima o botão **CLEAN** (Limpar) sem soltar no robô durante 12 segundos. Volte a ligar o robô colocando-o no terminal.

Reinicie o router

- Desligue o cabo de alimentação do router durante 30 segundos e depois volte a ligá-lo. Aguarde vários minutos para que o router se reinicie completamente.

PASSO 2 CONFIGURAR A BASE DE ESVAZIAMENTO AUTOMÁTICO

Coloque a base sobre pavimento a descoberto e encostada à parede.



- Encontre uma **localização permanente** para a base, numa área central com um **signal de Wi-Fi forte**.
- Retire quaisquer objetos que estejam a menos de 1 m de distância de cada lado da base ou a menos de 1,5 m da parte da frente.
- Ligue a base à corrente.

PASSO 4 TRANSFERIR A APLICAÇÃO

Funcionalidades da aplicação SharkClean

- ✓ Mapeamento doméstico de precisão
- ✓ Seleção da divisão
- ✓ Limpeza localizada
- ✓ Áreas a serem evitadas
- ✓ Agendamento



Pesquise “SharkClean” na loja de aplicações ou efetue a leitura do código QR na cobertura frontal para transferir a aplicação.

NÃO CONSEGUE ESTABELECEER A LIGAÇÃO À REDE WI-FI?



Dúvidas? Passos fáceis a dar se tiver problemas: Está a ter problemas para estabelecer a ligação ao seu robô? Para consultar vídeos sobre “como fazer”, perguntas frequentes, resolução de problemas e dicas e truques, visite: sharkclean.eu. Para ver o manual de instruções completo visite: qr.sharkclean.com/RV2600WDSEU ou **EFETUE A LEITURA AQUI USANDO A CÂMARA DO TELEMÓVEL**

- Para utilizar a aplicação, o telefone tem de estar ligado a uma rede de 2,4 GHz. A aplicação não funcionará numa rede de 5 GHz.
- **NÃO** utilize um VPN nem um servidor proxy.
- Certifique-se de que o isolamento da rede Wi-Fi está desativado no router.

ANTES DE LIMPAR

Na Sessão de exploração, o robô irá deambular pela sua casa e criar um mapa.

Depois desta sessão, pode criar Áreas alcatifadas nas áreas da sua casa que quer que o robô evite quando está no modo de esfregona. Se não deseja definir Áreas alcatifadas ou não tem tapetes nem alcatifas em casa, pode ignorar este passo.

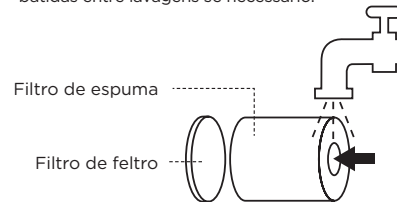
Agora já pode começar a limpar.



LIMPAR O FILTRO DO ROBÔ

IMPORTANTE - Limpe o filtro todos os meses ou se ocorrer uma perda da capacidade de sucção.

Lave e deixe secar completamente ao ar. Além disso, remova a sujidade solta que possa existir nos filtros com algumas batidas entre lavagens se necessário.



Os filtros de espuma podem parecer sujos depois de utilizados - isso é normal.



NÃO coloque as mãos em qualquer abertura que não esteja definida para acesso do utilizador

GARANTIA LIMITADA DE DOIS (2) ANOS RV2820VEEU/AV2820VEEUWH

Quando um consumidor compra um produto no Europa, obtém o benefício dos direitos legais relacionados com a qualidade do produto (os seus “direitos legais”). Pode exigir o cumprimento destes direitos pelo seu revendedor. No entanto, na Shark® estamos tão confiantes na qualidade dos nossos produtos que disponibilizamos ao proprietário original do produto uma garantia fabricante dois anos. Estes termos e condições referem-se apenas à garantia do fabricante e os seus direitos legais não são afetados.

As condições abaixo descrevem os pré-requisitos e a abrangência da nossa garantia. Não afetam os seus direitos legais, nem as obrigações do seu revendedor, nem o seu contrato com o mesmo.

Garantias da Shark®

Um eletrodoméstico como um aspirador robótico constitui um investimento considerável. O seu novo aparelho tem de funcionar corretamente durante o máximo de tempo possível. A garantia que o acompanha é um aspeto importante a considerar — e reflete a confiança que o fabricante tem no seu produto e na qualidade de fabrico.

Cada aparelho Shark® inclui uma garantia gratuita de peças e de mão de obra. A nossa linha de assistência ao cliente (0800 862 0453) funciona entre as 9:00 e as 18:00, de segunda a sexta-feira. A chamada é gratuita e será encaminhada diretamente para um representante Shark®. Também pode encontrar assistência online em www.sharkclean.co.eu.

Como posso registar a garantia alargada Shark®?

Pode registar a garantia online até 28 dias após a compra. Para poupar tempo, irá precisar das seguintes informações sobre o seu aparelho:

- Data da compra do aparelho (recibo ou nota de entrega).

Para efetuar o registo online, visite www.Sharkclean.eu/uk/register-guarantee. Os produtos adquiridos diretamente à Shark® são registados automaticamente.

O que está abrangido pela garantia Shark® gratuita?

Reparação ou substituição do seu aparelho Shark® (ao critério da Shark), incluindo todas as peças e mão de obra. Uma garantia Shark® complementa os seus direitos legais enquanto consumidor.

Quais são os benefícios de registar a minha garantia Shark® gratuita?

Quando registar a sua garantia, teremos os seus dados disponíveis se necessitarmos de entrar em contacto consigo. Se concordar igualmente em receber comunicações nossas, também pode receber dicas e conselhos sobre como aproveitar ao máximo o aspirador robótico Shark® e conhecer as últimas novidades sobre lançamentos e novas tecnologias da Shark®.

Se registar a sua garantia online, receberá uma confirmação instantânea de que recebemos os seus dados.

Qual é a duração da garantia dos aparelhos Shark® novos?

A nossa confiança no nosso design e controlo de qualidade significa que o seu novo aspirador robótico Shark® tem uma garantia por um total de até dois anos.

Onde posso comprar peças sobresselentes e acessórios genuínos Shark®?

As peças sobresselentes e acessórios Shark® são concebidos pelos mesmos engenheiros que conceberam o seu aspirador robótico Shark®. Encontra uma ampla gama de peças sobresselentes, peças de reposição e acessórios Shark®, para todos os aparelhos Shark®, em www.sharkclean.eu

Lembre-se de que os danos causados pela utilização de peças sobresselentes que não sejam da marca Shark® não estão cobertos pela sua garantia.

O que não está abrangido pela garantia Shark® gratuita?

1. O desgaste normal e/ou a substituição regular de peças que requerem manutenção, para garantir o funcionamento adequado da unidade, não estão cobertos por esta garantia. As peças de substituição estão disponíveis para compra em www.sharkclean.co.eu.
2. Qualquer unidade que tenha sido adulterada ou utilizada para fins comerciais.

3. Danos acidentais, avarias causadas por uso negligente ou falta de cuidado, má utilização, utilização ou manuseamento descuidado do aspirador robótico, que não cumpram as instruções deste folheto de instruções Shark® fornecido com o aparelho.

4. A utilização de peças não montadas nem instaladas de acordo com estas instruções.

5. Instalação incorreta (exceto quando a mesma for efetuada pela Shark®).

6. Reparações ou alterações realizadas por partes que não a Shark® ou os seus agentes.

LEIA COM ATENÇÃO E GARDE PARA CONSULTAS FUTURAS.

Estas instruções foram concebidas para o ajudar a manter o seu Shark Matrix Robot a funcionar com desempenho máximo.

SharkNinja Europe Limited,
3150 Century Way,
Thorpe Park,
Leeds,
LS15 8ZB

SharkNinja Germany GmbH,
Rotfeder-Ring 9,
60327 Frankfurt am Main,
Germanysharkclean.eu

As ilustrações podem diferir do produto real. Melhoramos continuamente os nossos produtos. Assim, as especificações aqui contidas estão sujeitas a alterações sem aviso prévio.

TÄRKEITÄ TURVALLISUUSOHJEITA

LUE HUOLELLISESTI ENNEN KÄYTTÖÄ • VAIN KOTITALOUSKÄYTTÖÖN

VAROITUS

Tulipalon, sähköiskun tai henkilö- ja omaisuusvahinkojen vaaran välttämiseksi:

LAPSIA TAI ELÄIMIÄ EI SAA JÄTTÄÄ ILMAN VALVONTAA SELLAISIIN HUONEISIIN, JOIHIN ROBOTTI-IMURI MENEÉ IMUROINNIN AIKANA.


LASER-VAROITUS

TÄSSÄ TUOTTEESSA ON LUOKAN 1 LASER. KYTKE AINA VIRTAA POIS PÄÄLTÄ ENNEN ROBOTTI-IMURIN NOSTAMISTA TAI SEN HUOLTAMISTA. ÄLÄ KATSO SUORAAN LASERIIN.

JOS LATAUSJOHTO EI SOVI KUNNOLLA PISTORASIAAN, OTA YHTEYTTÄ PÄTEVÄÄN SÄHKÖASENTAJAAN. ÄLÄ YRITÄ PAKOTTAA PISTOKETTA PISTORASIAAN TAI MUOKATA SITÄ.

YLEISET VAROITUKSET

Sähkölaitteen käytössä on aina noudatettava tietyt perusvarotoimia seuraavat mukaan lukien:

- Tämä laite koostuu imurista ja lataustelakasta virtalähteineen. Näissä osissa on sähköliitännät, sähköjohtoja ja liikkuvia osia, joista voi aiheutua vaaraa käyttäjälle.
- Tarkista aina ennen käyttöä kaikki osat huolellisesti vahingoittumisen varalta. Jos jokin osa vahingoittuu, lopeta käyttö.
- Käytä ainoastaan alkuperäisen kaltaisia varaosia. Katso tämän kirjan liitteessä oleva varaosa- ja varustesivu.
- Tässä ei ole huollettavia osia.
- Käytä laitetta ainoastaan tämän oppaan ohjeiden mukaisesti. EI SAA käyttää muuhun kuin tässä ohjeessa kuvattuun käyttöön.
- Suodattimia lukuun ottamatta ÄLÄ altista mitään osia vedelle tai muille nesteille.
-  ÄLÄ laita käsiäsi telakan tai robotin aukkoihin.

KÄYTTÖÖN LIITTYVÄT VAROITUKSET

- Tässä tuotteessa on luokan 1 laser. Kytke aina virta pois päältä ennen robotti-imurin nostamista tai sen huoltamista.
- ÄLÄ katso suoraan laseriin.
- Sammuta robotti-imuri aina ennen suodattimen tai pölysäiliön asentamista.
- ÄLÄ käsittele pistoketta, lataustelakkaa, latauskaapelia tai märin käsin. Lapset eivät saa suorittaa puhdistusta tai käyttäjän ylläpitoa ilman valvontaa
- Lapset EIVÄT eivät saa leikkiä tällä laitteella.
- Laitetta voivat käyttää 8-vuotiaat ja vanhemmat lapset sekä henkilöt, joiden fyysinen, sensorinen tai henkinen toimintakyky on rajoittunut tai joilla ei ole kokemusta tai tietoa laitteen käytöstä, jos heitä valvotaan tai heille annetaan ohjeita laitteen turvalliseen käyttöön liittyen ja he ymmärtävät sen käyttöön liittyvät vaarat.

h) Myrkylliset materiaalit (kloorivalkausaine, ammoniakki tai viemärinpuhdistusaine).

i) Myrkylliset materiaalit (korkeat kloorivalkausainesteen pitoisuudet, suuret ammoniakkipitoisuudet tai viemärin puhdistusliuokset).

22. ÄLÄ käytä seuraavissa paikoissa:

- Ulkotilat lähellä tulisijoja, joissa on esteetön sisäänkäynti.
- Suljetut tilat, jotka voivat sisältää räjähtäviä tai myrkyllisiä höyryjä (sytynneste, bensiini, kerosiini, maali, maalinhohenteet, koinsuoja-aineet, tai syttyvä pöly).
- Alueella, jossa on lämmityslaite.
- lähellä tulisijoja, joihin on esteetön pääsy.

23. Sammuuta virta ennen säätöjä, puhdistusta, huoltoon tai viennääritystä. Huomautus: OFF-tilassakin (O) robotti käyttää pienen määrän virtaa.

24. Anna kaikkien suodattimien kuivua täysin ennen niiden asettamista takaisin imuriin. Näin estät nesteen joutumisen sähköosiin.

25. ÄLÄ muokkaa tai yritä korjata robotti-imuria tai akkua itse, paitsi niin kuin tässä ohjekirjassa kehoitetaan. ÄLÄ käytä imuria, jos sitä on muokattu tai se on vahingoittunut.

26. ÄLÄ käytä kodin puhdistusaineita (yleispuhdistusaineita, lasinpesuaineita, valkaisuaineita) minkään telakka-aseman tai robotti-imurin korkeakiiltoisen pinnan puhdistamiseen, sillä ne sisältävät kemikaaleja, jotka saattavat vahingoittaa pintoja. Puhdista sen sijaan hellavaraisesti vedellä kostutetulla liinalla.

27. Minimoidaksesi riskin robotin kulkemisesta ei-turvallisille alueille (portaisiin tai reunojen yli, takkaan, märkiin tiloihin), merkitse nämä alueet alueiksi, joille on pääsy kielletty. Tämä tehdään SharkClean-sovelluksen kartoitustoiminnolla. Rajoja asettaessasi käytä imuria ja varmista silmämääräisesti, että esteet estävät robottia tehokkaasti ylittämättä rajaa. Muokkaa rajoja tarpeen mukaan. Imurin käyttäjien, joilla ei ole sovellusta, tulee estää ei-turvalliset alueet fyysisin estein.

AKUN KÄYTTÖ

- Akku on imurin virtalähde. Lue kaikki latausohjeet huolellisesti ja noudata niitä.
- Vahinkokäynnistyksen estämiseksi varmista, että imurin virta on sammutettu, ennen sen nostamista tai kantamista. ÄLÄ kannata laitetta siten, että sormesi on virtakytkimen päällä.
- Käytä vain Shark®-lataustelakkaa XDKRV2820VEEU/XDKAV2820VEEU ja vain akkua RVBAT850A. Muiden kuin mainittujen akkujen tai akkulateureiden käyttäminen saattaa aiheuttaa tulipalon vaaran.
- Pidä akku poissa metalliesineiden, kuten paperiliitinten, kolikoiden, avainten, naulojen ja ruuvien, läheisyydestä. Akun napojen oikosulkeminen yhteen lisää tulipalon ja palovammojen vaaraa.
- Vääränlaisissa olosuhteissa akusta voi purkautua nestettä. Vältä kosketusta tämän nesteen kanssa, sillä siitä voi aiheutua ärsytystä tai palovammoja. Jos kosketus tapahtuu, huuhtelee vedellä. Jos nestettä joutuu silmiin, hakeudu lääkäriin.
- Robotti-imuria ei tule säilyttää, ladata tai käyttää alle 10 °C:n tai yli 40 °C:n lämpötiloissa. Varmista, että akku ja imuri ovat saavuttaneet huonelämpötilan ennen niiden lataamista tai käyttöä. Robottiin tai akun altistaminen tämän vaihteluvälin ulkopuolisille lämpötiloille voi vahingoittaa akkua ja lisätä palovaaraa.
- Märkä-/kuivarobotti-imuria tai akkua EI SAA altistaa tullelle tai yli 130 °C:n lämpötilalle, koska se voi aiheuttaa räjähdysriskin.

ALUEET, JOILLE ON PÄÄSY KIELLETTY, JA BOTBOUNDARY-NAUHA

- ÄLÄ aseta BotBoundary®-nauhoja kokolattiamaton tai irtomattojen alle.
- ÄLÄ laita BotBoundary-nauhoja päällekkäin.
- Käytä aina alueita, joille on pääsy kielletty, tai BotBoundary-nauhoja heijastavien lattia-alueiden ja pintojen ympärillä.
- Alueita, joille on pääsy kielletty, tai BotBoundary-nauhoja tulee käyttää aina kokolattiamatolla päällystettyjen portaiden lähellä.
- ÄLÄ käytä alueita, joille on pääsy kielletty, tai BotBoundary-nauhoja alle kolmen metrin etäisyydellä telakasta.
- Robotin reuna-antureiden kunnollisen toiminnan varmistamiseksi, kaikkien mattojen ja pienten kynnysten (kuten lapsiporttien) tulee olla vähintään 20 cm:n päässä portaista (tai niiden tulee olla yhtenäisiä ja ulottua portaiden reunan yli). Jos matto tai kynnyks on alle 20 cm:n päässä portaista eikä sitä voi siirtää, sinun tulee käyttää alueita, joille on pääsy kielletty, tai BotBoundary-nauhaa pääsyn estämiseksi portaisiin.

SÄILYTÄ NÄMÄ OHJEET

Viimeisimmät varoitukset ja ohjeet löytyvät sivulta www.sharkclean.eu/robothelp

Shark POWERDETECT

PIKA-ALOITUSOPAS

LATAA SHARKCLEAN-SOVELLUS



Skannaa QR-koodi puhelimen kameralla löytääksesi ja ladataksesi sovelluksen nopeasti

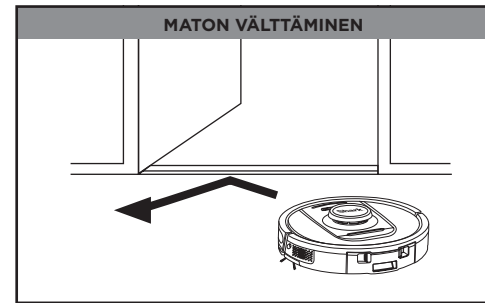
SHARKNINJA-OHJELMISTON LOPPUKÄYTTÄJÄN LISENSISOPIMUS

MITEN SAAT ENITEN IRTI ROBOTISTASI

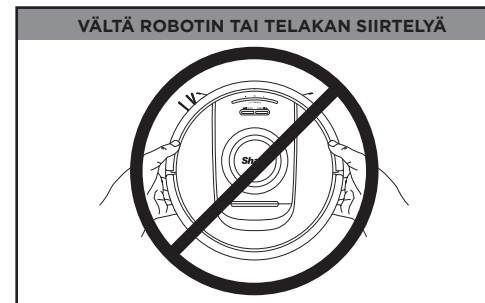
Parhaan kokemuksen saat, kun lataat SharkClean-sovelluksen ja noudatat alla olevia vinkkejä.



Power Detect -robotti väistää johdot, mutta jotta tulos olisi täydellisen puhtas, poista lattioilta johdot ja korkeudeltaan alle 11 cm:n kokoiset esineet. Koko kodin lattioiden kartoittamiseksi avaa väliovet.



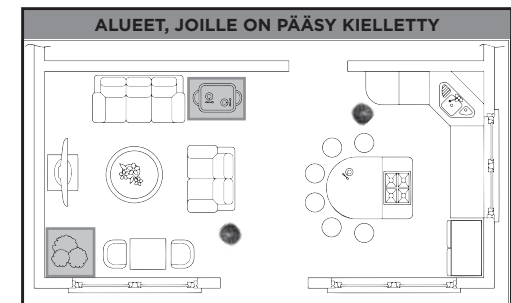
Robotti pääsee helposti useimpien kynnysten yli, mutta jos jokin niistä on yli 2,5 cm korkea, määritä sovelluksessa alue, jolle on pääsy kielletty.



Kun robotti imuroi, älä nosta ja siirrä sitä äläkä siirrä Self-Empty-telakkaa - tämä vaikuttaa robotin kykyyn kartoittaa kotiasi.



- Jotta koti pysyisi jatkuvasti puhtaana, laadi sovellukseen koko kodin siivouss aikataulu.
- Käytä interaktiivista karttaa kodistasi entistä räätälöidymää siivousta varten.



Määritä sovelluksessa alueita, joille on pääsy kielletty, pitääksesi robotin poissa alueilta, joita haluaisit sen välttävän:

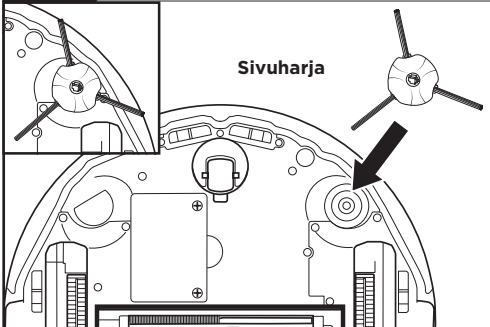
- virtajohtojen tai puhelinlatureiden läheisyys.
- korkeiden kynnysten edustat.



Pohja on suunniteltu säilömään roskaa viikkojen ajan. Alussa saatat joutua tyhjentämään sen useammin, sillä robotti löytää tavallista enemmän roskaa. Tarkista täyttymistaso säännöllisesti tyhjentämistarpeen varalta.

KÄYTTÖNOTTO

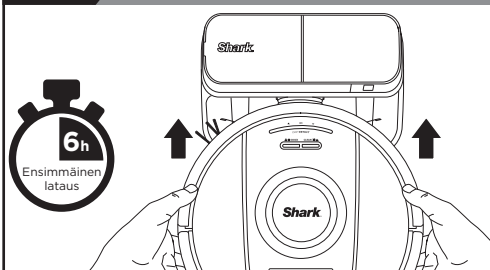
VAIHE 1 ROBOTTI-IMURIN VALMISTELU



Sivuharja

- Poista suojakalvo robotin ja telakan päältä.
- Kiinnitä sivuharjat.

VAIHE 3 ROBOTIN LATAAMINEN



- Aseta robotti asemaan latautumaan **6 tunniksi**.
- Kun robotti on asetettu oikein paikalleen **TAKAOSA** asemaa vasten, aseman oikeassa sivussa oleva **latauskuvake** sekä robotin akun kuvake syttyvät.
- Varmista, että robotti on asetettu asemaan **oikein**.
- **ROBOTIN KÄYNNISTÄMINEN:** Aseta robotti asemaan tai paina ja pidä **CLEAN** -painiketta (puhdistus) painettuna 5-7 sekunnin ajan, kunnes merkkivalot syttyvät.

Käynnistä puhelimesi uudelleen

- Kytke puhelin pois päältä, odota muutama minuutti, kytke se takaisin päälle ja muodosta yhteys Wi-Fi-verkkoon.

Käynnistä robotti uudelleen

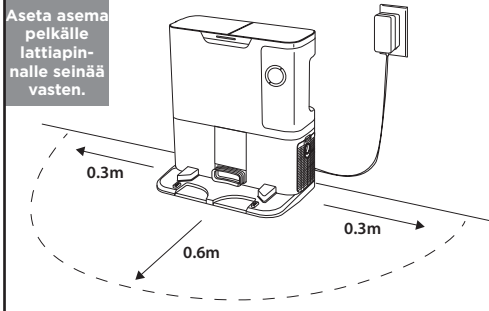
- Irrota robotti telakasta ja paina ja pidä robotin **CLEAN**-painiketta (puhdistus) painettuna 12 sekunnin ajan. Kytke robottiin uudelleen virta asettamalla se telakkaan.

Käynnistä reititin uudelleen

- Irrota reitittimen virtajohto 30 sekunniksi ja liitä se uudelleen. Odota useita minuutteja, jotta reititin ehtii käynnistyä kokonaan uudelleen.

VAIHE 2 ITSETYHJENTYVÄN ASEMAN KÄYTTÖNOTTO

Aseta asema pelkälle lattiapinnalle seinää vasten.



- Valitse telakalle **pysyvä** paikka keskeiseltä alueelta, jolla on **vahva Wi-Fi-signaali**.
- Poista kaikki esineet, jotka ovat lähempänä kuin 1 metrin etäisyydellä aseman jommaltakummalta sivulta tai lähempänä kuin 1,5 metrin etäisyydellä aseman etureunasta.
- Kiinnitä aseman pistoke pistorasiaan.

VAIHE 4 LATAA SOVELLUS

SharkClean-sovelluksen ominaisuudet

- ✓ Tarkka kodin kartoitus
- ✓ Huoneen valinta
- ✓ Paikallinen puhdistus
- ✓ Kielletyt alueet
- ✓ Ajastus



Hae "SharkClean" sovelluskaupasta tai lataa sovellus skannaamalla etukannen QR-koodi.

EIKÖ WI-FI-VERKKOON YHDISTÄMINEN ONNISTU?



Kysymyksiä? Helpot ohjeet, jos olet jäänyt jumiin: Ongelmia yhteyden saamisessa robottiin? Löydät ohjevideot, usein kysytyt kysymykset, vianmääritysohjeet ja vinkit osoitteesta sharkclean.eu. Täydelliset ohjeet löydät osoitteesta: qr.sharkclean.com/RV2820EU tai **SKANNAA TÄSTÄ ÄLYPUHELIMESI KAMERALLA**

- Puhelimesi on oltava yhdistettynä 2,4 GHz:n verkkoon, jotta voit käyttää sovellusta. Sovellus ei toimi 5 GHz:n verkossa.
- **ÄLÄ** käytä VPN- tai välipalvelinta.
- Varmista, että Wi-Fi-verkon eristys on poissa käytöstä reitittimessä.

ENNEN PESUA

Tutkinta-ajo eli Explore Run - Ensin robotti vaeltelee ympäriinsä kodissasi karttaa luodessaan.

Tämän ajon jälkeen voit luoda matollisia alueita niille kotisi alueille, joita et halua robotin. Jos et halua määrittää matollisia alueita tai kotonasi ei ole mattoja, voit ohittaa tämän vaiheen.

Nyt olet valmis siivoamaan.

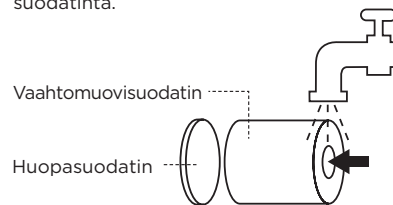
VUOROVAIKUTTEINEN KARTTA MATON TUNNISTUKSELLA



ROBOTIN SUODATTIMEN PUHDISTAMINEN

TÄRKEÄÄ - Puhdista suodatin joka kuukausi tai imuteho saattaa heiketä.

Huuhtele ja anna kuivua kokonaan. Poista myös irtolika tarvittaessa pesujen välillä naputtelemalla suodatinta.



Vaahtomuovisuodattimet saattavat näyttää käytön jälkeen likaisilta. Tämä on normaalia.

ÄLÄ laita käsiäsi sellaisiin aukkoihin, joita ei ole tarkoitettu käyttäjän käsiteltäviksi.

KAHDEN (2) VUODEN RAJOITETTU TAKUU RV2820VEEU/AV2820VEEUWH

Kun asiakas ostaa tuotteen Euroopassa, hänellä on laitteen laatua koskevat lailliset oikeudet ("lakisääteiset oikeudet"). Voit käyttää näitä oikeuksia jälleenmyyjää vastaan. Shark® on kuitenkin niin vakuuttunut tuotteidensa laadusta, että yhtiö myöntää tuotteen omistajalle takuun kahdeksi vuodeksi. Nämä ehdot koskevat vain valmistajan takuuta, eivätkä ne vaikuta lakisääteisiin oikeuksiisi.

Alla esitetyissä ehdoissa kuvataan myöntämämme takuun edellytykset ja laajuus. Ne eivät vaikuta lakisääteisiin oikeuksiisi tai oman jälleenmyyjäsi velvollisuuksiin eivätkä jälleenmyyjän kanssa solmimaasi sopimukseen.

Shark®-takuun sisältö

robotti-imurin kaltainen kodinkone on huomattava sijoitus. Uuden laitteesi on toimittava kunnolla mahdollisimman kauan. Kodinkoneelle myönnettävä takuu on huomionarvoinen asia ja kertoo valmistajan luottamuksesta omaan tuotteeseensa ja valmistuksen laatuun.

Jokainen Shark®-laite sisältää maksuttoman varaosa- ja korjaustyötakuun. Asiakaspalvelumme (puh. 0800 862 0453) on avoinna klo 9-18 maanantaista perjantaihin. Puhelut ovat maksuttomia, ja Shark®-yhtiön edustaja vastaa puheluun heti. Asiakastuki löytyy myös verkosta osoitteessa www.sharkclean.eu.

Miten rekisteröin Shark®-lisätakuun?

Voit rekisteröidä takuun verkossa 28 päivän kuluessa tuotteen ostamisesta. Tarvitset seuraavat tiedot laitteestasi:

- Laitteen ostopäivämäärä (kuitista tai lähetysilmoituksesta).

Voit rekisteröidä takuun verkkosivulla www.Sharkclean.eu/uk/register-guarantee. Suoraan Sharkilta® ostetut tuotteet rekisteröidään automaattisesti.

Mitä maksuton Shark®-takuu kattaa?

Shark®-laitteen korjaus ja vaihto (Sharkin harkinnan mukaisesti) mukaan lukien kaikki osat ja työ. Shark®-takuu on lisäys kuluttajan lakisääteisiin oikeuksiin.

Mitä etua on maksuttoman Shark®-takuun rekisteröinnistä?

Rekisteröityäsi takuusi meillä on yhteystietosi siltä varalta, että joudumme jostain syystä ottamaan sinuun yhteyttä. Jos suostut vastaanottamaan muuta viestintää meiltä, voit myös saada vinkkejä ja neuvoja siihen, miten voit hyödyntää Shark® robotti-imurin parhaalla mahdollisella tavalla sekä tietoa uusista Shark®-tekniikoista ja -tuotteista.

Rekisteröidessäsi takuun verkossa saat heti vahvistuksen tietojesi vastaanottamisesta.

Miten pitkä on uusien Shark®-laitteiden takuu-aika?

Luottamuksemme suunnitteluamme ja laadunvalvontaamme kohtaan tarkoittaa, että uudella Shark®-robotti-imurin on yhteensä jopa kahden vuoden takuu.

Mistä voin ostaa alkuperäisiä Shark®-varaosia ja -lisävarusteita?

Shark®-varaosat ja -lisävarusteet ovat samojen asiantuntijoiden kehittämiä kuin Shark®-robotti-imurin. Kaikkien Shark®-laitteiden Shark® varaosat sekä vaihto-osat ja lisävarusteet löytyvät sivustolta www.sharkclean.eu

Huomaathan, että takuu ei kata muiden kuin Shark®-varaosien käytöstä aiheutuneita vahinkoja.

Mitä maksuton Shark®-takuu ei kata?

1. Takuu ei kata normaalia osien kulumista, joka edellyttää säännöllistä ylläpitoa ja/tai vaihtoa varmistamaan laitteen asianmukaisen toiminnan. Varaosia voi ostaa osoitteesta sharkclean.eu
2. Laitetta, jota on peukaloitu tai käytetty kaupallisiin tarkoituksiin.
3. Tapaturmaisia vahinkoja ja vikoja, jotka ovat aiheutuneet robotti-imurin huolimattomasta käytöstä, väärinkäytöstä, laiminlyönnistä, varomattomasta käytöstä tai käsittelystä, joka ei ole laitteen mukana toimitettujen Shark®-käyttöohjeiden mukaista.

4. Sellaisten osien käyttö, joita ei ole koottu tai asennettu näiden ohjeiden mukaisesti.

5. Virheellinen asennus (paitsi, jos asennuksen on tehnyt Shark®).

6. Muiden kuin Sharkin® tai sen edustajien tekemät korjaukset tai muutokset.

LUE OPAS HUOLELLISESTI JA SÄILYTÄ SE TULEVAA TARVETTA VARTEN.

Näiden ohjeiden tarkoitus on auttaa sinua pitämään Shark AI -robottisi suorituskyky parhaimmillaan.

SharkNinja Europe Limited,
3150 Century Way,
Thorpe Park,
Leeds,
LS15 8ZB

SharkNinja Germany GmbH,
Rotfeder-Ring 9,
60327 Frankfurt am Main,
Germany
sharkclean.eu

Kuvat saattavat näyttää erilaisilta kuin varsinainen tuote. Pyrimme jatkuvasti parantamaan tuotteitamme. Siksi tässä annetut tiedot voivat muuttua milloin tahansa ilman erillistä ilmoitusta.

VIKTIGA SÄKERHETSINSTRUKTIONER

LÄS NOGGRANT FÖRE ANVÄNDNING • ENBART FÖR HUSHÅLLSBRUK

⚠ VARNING

minska risken för eldsvåda, elektrisk stöt, personskada eller skada på egendom:

BARN ELLER DJUR FÅR INTE LÄMNAS UTAN UPSIKT I NÅGRA RUM SOM ROBOTDAMMSUGAREN HAR ÅTKOMST TILL NÄR DEN ARBETAR.


LASERVARNING

DENNA PRODUKT HAR EN KLASS 1-LASER. STÄNG ALLTID AV STRÖMMEN INNAN DU LYFTER ROBOTDAMMSUGAREN ELLER UTFÖR NÅGOT UNDERHÅLL PÅ DEN. TITTA INTE RAKT IN I LASERN.

OM LADDNINGSKABELNS KONTAKT INTE PASSAR HELT I UTTAGET KONTAKTAR DU EN BEHÖRIG ELEKTRIKER. TVINGA INTE IN DEN I UTTAGET OCH FÖRSÖK INTE ATT MODIFIERA DEN.

ALLMÄNNA VARNINGAR

Vid användning av elektriska apparater bör grundläggande säkerhetsåtgärder alltid följas, inklusive följande:

- Denna apparat består av en robotdammsugare för golv och laddstation med strömförsörjning. Dessa delar innehåller elektriska kopplingar, elektriska ledningar och rörliga delar som kan utsätta användaren för risker.
- Kontrollera alla delar före varje användning med avseende på skador. Avbryt användningen om en del är skadad.
- Använd endast originaldelar för byte. Se sidan för reservdelar och tillbehör i denna broschyr.
- Denna robotdammsugare för golv innehåller inga reparerbara delar.
- Använd endast som beskrivs i bruksanvisningen. Använd **INTE** robotdammsugaren för golv för något annat ändamål än de som beskrivs i denna handbok.
- Med undantag för filter, dammbehållare och dynor ska **INGA** delar av robotdammsugaren för golv utsättas för vatten eller andra vätskor.
-  **Sätt INTE in händerna i några öppningar på dockningsenheten eller robotdammsugaren.**

ANVÄNDARVARNINGAR

- Denna produkt har en klass 1-laser. Stäng alltid av strömmen innan du lyfter robotdammsugaren eller utför något underhåll på den.
- TITTA INTE** rakt in i lasern.
- Stäng alltid av robotdammsugaren innan filtret, dammbehållaren eller vätskebehållaren sätts.
- Hantera **INTE** kontakten, laddstationen, laddningssladden eller robotdammsugaren med våta händer. Rengöring och användarunderhåll får inte utföras av barn utan tillsyn
- Barn får **INTE** leka med utrustningen.
- Apparaten kan användas av barn över 8 år och personer med nedsatt fysisk, sensorisk eller mental förmåga eller person som saknar erfarenhet och kunskap, om de har fått

instruktioner om säker användning av maskinen och förstår de risker det innebär.

- Använd **INTE** roboten utan att dammbehållare, filter och vätskebehållare sitter på plats.
- Skada **INTE** laddningskabeln:
 - Dra **INTE** i sladden och bär **INTE** med sladden som handtag.
 - Dra **INTE** ur kontakten genom att hålla i sladden. Håll i kontakten, inte sladden
 - Stäng **INTE** en dörr med sladden i kläm, dra inte sladden runt skarpa hörn och placera inte sladden i närheten av upphettade ytor.
 - Den medföljande sladden kan **INTE** bytas ut. Om sladden är skadad måste apparaten kasseras.
- Placera **INGA** föremål i munstycket eller i tillbehören. Använd **INTE** dammsugaren med tilltänkta öppningar. Ta bort damm, ludd, hår eller annat som kan reducera luftflödet.
- Använd **INTE** robotdammsugaren om luftflödet är begränsat. Om luftcirkulationen hindras, stäng av dammsugaren och flytta på alla hinder innan du startar enheten igen.
- Håll inte munstycke och sugöppningar nära hår, ansikte, fingrar, fötter eller lösa kläder.
- Använd **INTE** robotdammsugaren om den inte fungerar som den ska eller om den har tappats, skadats, lämnats utomhus eller hamnat i vatten.
- Placera **INTE** dammsugaren på ostadiga ytor.
- Använd **INTE** till att plocka upp:
 - Vätskor.
 - Stora föremål.
 - Hårda eller vassa föremål (glas, spikar, skruvar eller mynt).
 - Stora mängder damm (gipsdamm, aska från öppen spis eller kol).
 - ANVÄND **INTE** tillsammans elektriska verktyg för dammsamling.
 - Rykande eller brinnande föremål (varma kol, cigarettfimpar eller tändstickor).

- Brandfarligt eller brännbart material (tändvätska, bensin eller fotogen).
 - Giftiga material (klorblekmedel, ammoniak eller avloppsrensningsmedel).
 - Giftiga material (höga koncentrationer av klorblekmedel, ammoniak eller avloppsrensningsmedel).
- Använd **INTE** på följande områden:
 - Utomhus nära eldstäder med öppen ingång.
 - Slutna utrymmen som kan innehålla explosiv eller giftig rök eller ånga (tändvätska, bensin, fotogen, färg, färgförtunning, malmedel eller brandfarligt damm).
 - I ett utrymme med värmefläkt.
 - Nära eldstäder med öppen ingång.
 - Stäng av robotdammsugaren före justeringar, rengöring, underhåll eller felsökning. Obs: I positionen OFF (O) använder robotdammsugaren fortfarande en liten mängd ström.
 - Låt alla filter lufttorka helt innan de sätts tillbaka så att vatten inte sugs in i elektriska komponenter.
 - Försök **INTE** att själv modifiera eller reparera robotdammsugaren eller batteriet, utöver vad som anges i denna handbok. Använd **INTE** dammsugaren om den har modifierats eller skadats.
 - Använd **INTE** hushållsrengöringsmedel (universalkalk, glasrengöringsmedel, blekmedel) på någon av de polerade glänsande ytorna på dockningsstationen eller robotdammsugaren eftersom de innehåller kemikalier som kan skada dessa ytor. Använd istället en trasa lätt fuktad med vatten för en skonsam rengöring.
 - För att minimera risken för att robotdammsugaren åker utanför en säkerhetsgräns (trappor/avsatser, eldstäder, vattenfaror), ställ in dessa platser som no-go-zoner med hjälp av mapping-funktionen i SharkClean-mobilappen. Kör dammsugaren så att du visuellt kan bekräfta att inställningarna ser till att roboten inte passerar den inställda gränsen när du ställer in den. Justera inställningar efter behov. För användare som inte utnyttjar appen, använd en gräns för att blockera en osäker gräns.

BATTERIANVÄNDNING

- Batteriet är dammsugarens strömkälla. Läs noggrant och följ alla laddningsinstruktioner.
 - Se till att dammsugaren är avstängd innan du plockar upp eller bär den, för att undvika att den startas oavsiktligt. Bär **INTE** apparaten med fingret på strömbrytaren.
 - Använd **ENDAST** Shark®-laddningsdockan XDKRV2820VEEU/XDKAV2820VEEU och batteri RVBAT850A. Användning av andra batterier eller laddare än de angivna kan skapa en brandrisk.
 - Håll batteriet åtskilt från metallföremål, t.ex. gem, mynt, nycklar, spikar eller skruvar. Om batteriterminalerna kortsluts ökar risken för brand eller brännskador.
 - Om batteriet missbrukas kan vätska läcka ut. Undvik kontakt med denna vätska då den kan orsaka irritation eller brännskador. Om du kommer i kontakt med vätskan, skölj med vatten. Om vätskan kommer i kontakt med ögonen, sök läkarhjälp.
 - Robotdammsugaren bör inte förvaras, laddas eller användas vid temperaturer under 10 °C eller över 40 °C. Försäkra dig om att batteriet och dammsugaren har anpassat sig till rumstemperaturen före laddning och användning. Om roboten eller batteriet utsätts för temperaturer utanför det angivna temperaturområdet kan det skada batteriet och öka brandrisken.
 - Utsätt **INTE** robotdammsugaren eller batteriet för eld eller temperaturer över 130 °C, eftersom detta kan orsaka en explosion.
- ### NO-GO-ZONER OCH BOTBOUNDARY-REMSOR
- Placera **INTE** BotBoundary-remsorna under heltäckningsmattor eller trasmattor.
 - Placera **INTE** BotBoundary-remsor ovanpå varandra.
 - Använd alltid no-go-zoner eller BotBoundary-remsor runt reflekterande golv och ytor.
 - No-go-zoner eller BotBoundary-remsor ska alltid användas nära mattförsedda trappor.
 - Använd **INTE** no-go-zoner eller BotBoundary-remsor inom 3 meter från dockan.
 - För att avsatssensorerna ska fungera ordentligt måste alla mattor eller små trösklar (t.ex. barngrindar) ligga på minst 20 cm avstånd från alla trappor (eller nå ända ut över trappkanten). Om en skena, matta eller mattkant som är mindre än 20 cm från trappan inte kan förflyttas, måste du använda en no-go-zon eller en BotBoundary-remsa för att avblockera trapporna.

SPARA DESSA INSTRUKTIONER

För de senaste varningarna och försiktighetsmeddelandena, gå till www.sharkclean.eu/robothelp

Shark POWERDETECT

SNABBSTARTSGUIDE

LADDA NER SHARKCLEAN-APPEN

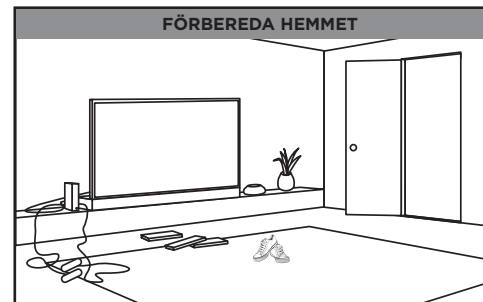


Skanna QR-koden med telefonens kamera för att snabbt hitta och ladda ner appen

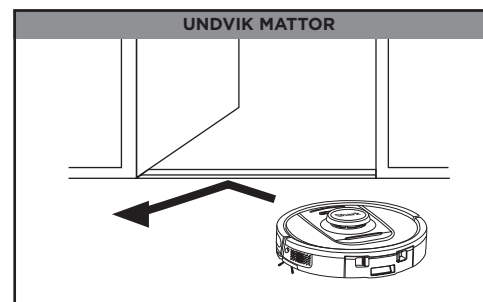
SLUTANVÄNDARAVTAL FÖR SHARKNINJA-PROGRAMVARA

FÅ UT MAXIMALT AV DIN ROBOTDAMMSUGARE

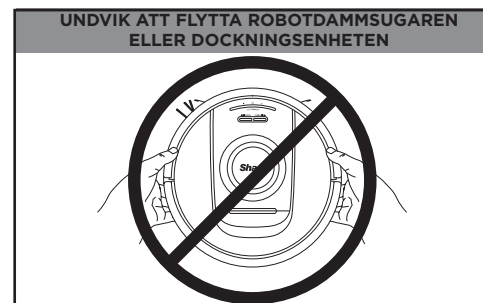
För att få en optimal upplevelse, hämta SharkClean-appen och följ tipsen nedan.



Power Detect-roboten undviker sladdar, men för bästa täckning och rengöring ska sladdar och föremål som är lägre än 11 cm tas bort från golvet. Öppna innerdörrarna för att säkerställa en fullständig kartläggning av bostaden.



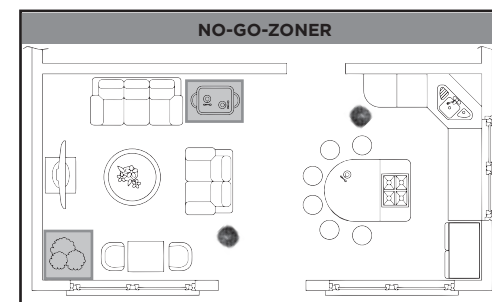
Robotdammsugaren kan enkelt ta sig över de flesta trösklar under 2,5 cm. Skulle den vara högre än så, kan du skapa en spärrzon i appen för att blockera den.



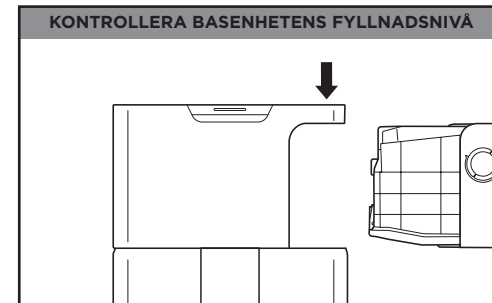
Lyft inte upp och flytta roboten eller den självtömmande laddstationen medan den städar, eftersom det påverkar robotens förmåga att kartlägga bostaden.



- För att ständigt hålla hela hemmet städad kan du konfigurera ett städschema i appen.
- Använd den interaktiva hemkartan för en ännu mer anpassningsbar städning.



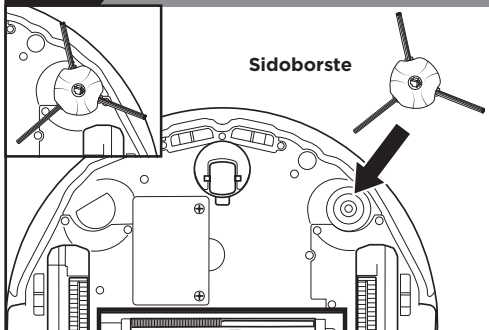
- Skapa no-go-zoner i appen för att hålla din robotdammsugare borta från områden du vill undvika:
- Nära strömkablar eller telefonladdare.
 - Framför höga trösklar.



Basen är designad för att ha plats för veckor av skräp. Under den första användningen kan du behöva tömma den oftare eftersom robotdammsugaren hittar mer skräp än vanligt. Kontrollera fyllnadsnivån ofta så att du vet när det är dags att tömma.

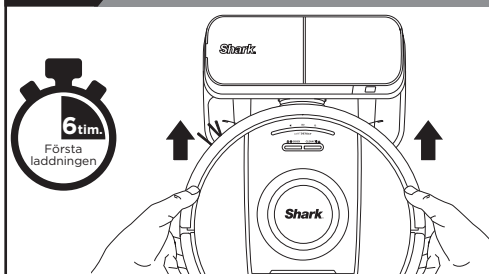
CONFIGURATION

STEG 1 FÖRBERED ROBOTDAMMSUGAREN



- Ta bort skyddsfilmerna från robotdammsugaren och dockningsenheten.
- Montera sidoborstarna.

STEG 3 LADDA ROBOTEN



- Placera robotdammsugaren på basenheten för att ladda i **6 timmar**.
- När roboten står på rätt sätt med **BAKSIDAN** mot basenheten kommer **laddningsikonen** högst upp på höger sida om basenheten att lysa och batteriikonen på robotdammsugaren kommer att lysa.
- Se till att roboten står rätt på **basenheten**.
- **För att sätta på robotdammsugaren:** Placera roboten på basenheten eller tryck och håll inne **CLEAN** -knappen i 5 till 7 sekunder tills indikatorlamporna tänds.

Starta om din telefon

- Stäng av telefonen, vänta i några minuter, starta den sedan och anslut till Wi-Fi.

Starta om din robotdammsugare

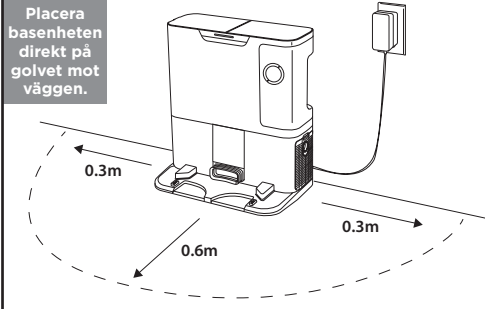
- Ta bort robotdammsugaren från dockan och håll **CLEAN (RENGÖR)**-knappen intryckt i 12 sekunder för att starta om. Vänd robotdammsugaren med baksidan mot dockningsenheten.

Starta om din router

- Koppla ur routerns strömkabel i 30 sekunder och koppla sedan in den igen. Låt det gå några minuter för att din router ska starta om helt.

STEG 2 STÄLL IN DEN SJÄLVTÖMMANDE BASENHETEN

Placera basenheten direkt på golvet mot väggen.



- Sök en **permanent** plats för basenheten i ett centralt område med **stark Wi-Fi-signal**.
- Avlägsna alla föremål mindre än 1 m från vardera sidan av basen och mindre än 1,5 m från basens framsida.
- Koppla in basenheten.

STEG 4 LADDA NER APPEN

SharkClean-appfunktioner

- ✓ Präcis kortläggning a hemmet
- ✓ Rumsval
- ✓ Fläckrengöring
- ✓ No-Go Zones
- ✓ Planning



Sök efter "SharkClean" i App Store eller skanna QR-koden på framsidan för att ladda ner appen.

KAN DU INTE ANSLUTA TILL WI-FI?



Frågor? Enkla steg om du fastnar:

Har du problem med att ansluta till din robotdammsugare? För demonstrationsvideor, vanliga frågor, felsökning samt tips och tricks går du till sharkclean.eu. För komplett instruktionsbok besök: qr.sharkclean.com/RV2820EU eller

SKANNA HÄR MED DIN SMARTPHONEKAMERA

- För att kunna använda appen måste din telefon vara ansluten till ett 2,4 GHz-nätverk. Appen fungerar inte på 5 GHz-nätverk.
- **ANVÄND INTE** en VPN-anslutning eller proxy-server.
- Se till att Wi-Fi-isolering är av på routern.

FÖRE STÄDNING

Under utforskningsrundan kommer robotdammsugaren att åka omkring i ditt hem och skapa en karta.

När detta är klart kan du skapa mattzoner för de områden av ditt hem som du vill att robotdammsugaren ska undvika. Om du inte vill skapa mattzoner eller om du inte har mattor i ditt hem kan du hoppa över detta steg.

Nu är du redo att städa.

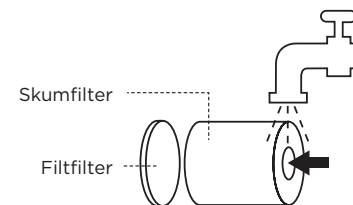
INTERAKTIV KARTA MED MATTZONER



RENGÖRA ROBOTENS FILTER

VIKTIGT - Rengör filtret varje månad för att undvika försvagad sugkraft.

Skölj och lufttorka helt. Knacka även loss smuts från filtret mellan tvättarna efter behov.



Skumfilter kan normalt se smutsiga ut efter användning.



Stoppa **INTE** in händerna i någon öppning som inte är avsedd att ge användaren åtkomst.

TVÅ (2) ÅRS BEGRÄNSAD GARANTI RV2820VEEU/AV2820VEEUWH

En kund som köper en produkt i Europa omfattas av de lagliga rättigheter som rör kvaliteten på produkten (dina "lagstadgade rättigheter"). Du kan driva igenom dessa rättigheter mot din återförsäljare. Vi på Shark® är dock så säkra på kvaliteten hos våra produkter att vi ger produktens ägare en fabriksgaranti på två år. Dessa villkor gäller endast vår fabriksgaranti; dina lagstadgade rättigheter påverkas inte.

Villkoren nedan beskriver förutsättningarna för och omfattningen av vår garanti. De påverkar inte dina lagstadgade rättigheter eller återförsäljarens skyldigheter och ej heller ditt avtal med återförsäljaren.

Garantier från Shark®

En hushållsapparat som en robotdammsugaren är en betydande investering. Din nya maskin behöver fungera korrekt under en så lång tid som möjligt. Den medföljande garantin återspeglar tillverkarens förtroende för sin produkt- och tillverkningskvalitet.

Varje maskin från Shark® levereras med en kostnadsfri garanti på delar och arbete. Vår kundtjänst (0800 862 0453) är öppen måndag till fredag från 9.00-18.00. Det är gratis att ringa och du kommer direkt i kontakt med en representant för Shark®. Du kan också få support på

www.sharkclean.eu.

Hur registrerar jag min utökade Shark®-garanti?

Du kan registrera din garanti online inom 28 dagar från inköp. För att spara tid bör du ha följande information om din apparat till hands:

- Datum då du köpte maskinen (kvitto eller följesedel).

För registrering online, besök www.Sharkclean.eu/uk/register-guarantee. Produkter som köpts direkt från Shark® registreras automatiskt.

Vad täcks av den kostnadsfria Shark®-garantin?

Reparation eller byte av din Shark®-apparat (enligt Sharks gottfinnande), inklusive alla delar och arbete. En Shark®-garanti gäller utöver dina lagliga rättigheter som köpare.

Vilka är fördelarna med att registrera min kostnadsfria Shark®-garanti?

När du registrerar din garanti har vi dina uppgifter till hands om vi behöver ta kontakt. Om du dessutom går med på att ta emot meddelanden från oss kan du också få tips och råd om hur du får största möjliga nytta av din Shark® robotdammsugaren samt få reda på de senaste nyheterna från Shark® om dess nya tekniska lösningar och lanseringar.

Om du registrerar din garanti online, får du genast en bekräftelse på att vi har tagit emot dina uppgifter.

Under hur lång tid gäller garantin för nya Shark®-apparater?

Eftersom vi är övertygade om kvaliteten i vår design och kvalitetskontroll, utfärdar vi en garanti på din Shark®-robotdammsugaren som gäller i sammanlagt två år.

Var kan jag köpa äkta originalreservdelar och tillbehör från Shark®?

Reservdelarna och tillbehören från Shark® utvecklas av samma ingenjörer som har utvecklat din Shark®-robotdammsugaren. Du hittar ett fullständigt sortiment av Shark®-tillverkade reservdelar och tillbehör till alla Shark®-maskiner på www.sharkclean.eu

Kom ihåg att skador som orsakas av användning av reservdelar som inte kommer från Shark® inte täcks av garantin.

Vad täcks inte av den kostnadsfria Shark®-garantin?

1. Normalt slitage av delar som kräver regelbundet underhåll och/eller byte för att säkerställa att din enhet fungerar som den ska, täcks inte av den här garantin. Reservdelar finns att köpa på sharkclean.eu
2. En enhet som har manipulerats eller används i kommersiellt syfte.

3. Oavsiktliga skador och fel orsakade av oaktsamhet, missbruk, försummelse, vårdslös användning eller hantering av robotdammsugaren i strid med detta medföljande instruktionshäfte från Shark®.

4. Användning av delar som inte har monterats eller installerats i enlighet med dessa instruktioner.

5. Felaktig installation (om den inte har utförts av Shark®).

6. Reparationer eller ändringar som utförts av andra parter än Shark® eller dess ombud.

LÄS INSTRUKTIONERNA NOGGRANT OCH BEHÅLL DEM FÖR FRAMTIDA BRUK.

Dessa instruktioner är utformade för att hjälpa dig att se till att din Shark AI-robot fungerar optimalt.

SharkNinja Europe Limited,
3150 Century Way,
Thorpe Park,
Leeds,
LS15 8ZB, Storbritannien

SharkNinja Germany GmbH,
Rotfeder-Ring 9,
60327 Frankfurt am Main, Germany
sharkclean.eu

Illustrationerna kan avvika från den verkliga produkten. Vi strävar konstant efter att förbättra våra produkter, därför kan specifikationerna i detta dokument ändras utan föregående meddelande.

DANSK Illustrationerne kan afvige fra det aktuelle produkt. Vi bestræber os hele tiden på at forbedre vores produkter, hvorfor specifikationerne i denne manual kan blive ændret uden varsel.

© 2024 SharkNinja Operating LLC. SHARK er et registreret varemærke i den Europæiske Union tilhørende SharkNinja Operating LLC.

Apple App Store er et registreret varemærke tilhørende Apple Inc. Google, Android og Google Play er varemærker tilhørende Google LLC.

ENGLISH Illustrations may differ from actual product. We are constantly striving to improve our products; therefore the specifications contained here in are subject to change without notice.

© 2024 SharkNinja Operating LLC. SHARK is a registered trademark in the European Union of SharkNinja Operating LLC.

Apple App Store is a trademark of Apple Inc. Google, Android and Google Play are trademarks of Google LLC.

FRANÇAIS Les illustrations peuvent être différentes du produit réel. Nous nous efforçons constamment d'améliorer nos produits; par conséquent, les spécifications contenues dans ce manuel peuvent être modifiées sans préavis.

© 2024 SharkNinja Operating LLC. SHARK est une marque déposée de SharkNinja Operating LLC au sein de l'Union européenne.

Apple App Store est une marque commerciale d'Apple Inc. Google, Android et Google Play sont des marques de Google LLC.

NEDERLANDS De afbeeldingen kunnen afwijken van het werkelijke product. Wij streven er constant naar om onze producten te verbeteren; daarom zijn de specificaties in dit document onderhevig aan wijzigingen zonder voorafgaande kennisgeving.

© 2024 SharkNinja Operating LLC. SHARK is een geregistreerd handelsmerk in de Europese Unie van SharkNinja Operating LLC.

Apple App Store is een handelsmerk van Apple Inc. Google, Android en Google Play zijn handelsmerken van Google LLC.

PORTUGUESE As ilustrações podem diferir do produto real. Estamos constantemente empenhados em melhorar os nossos produtos; por conseguinte, as especificações aqui contidas estão sujeitas para mudar sem aviso prévio.

© 2024 SharkNinja Operating LLC. SHARK é uma marca registada na União Europeia da SharkNinja Operating LLC.

Apple App Store é uma marca comercial da Apple Inc. Google, Android e Google Play são marcas comerciais da Google LLC.

SVENSKA Illustrationerna kan avvika från den verkliga produkten. Vi strävar ständigt efter att förbättra våra produkter och därför kan specifikationerna i detta dokument ändras utan föregående meddelande.

© 2024 SharkNinja Operating LLC. SHARK är ett registrerat varumärke i Europeiska unionen för SharkNinja Operating LLC.

Apple App Store är varumärken som tillhör Apple Inc. Google, Android och Google Play är varumärken som tillhör Google LLC.

DEUTSCH Die Abbildungen können vom tatsächlichen Produkt abweichen. Im ständigen Bemühen um die fortlaufende Verbesserung unserer Produkte behalten wir uns Änderungen der hierin enthaltenen Spezifikationen ohne Ankündigung vor.

© 2024 SharkNinja Operating LLC. SHARK ist eine in der Europäischen Union eingetragene Marke der SharkNinja Operating LLC.

Apple App Store ist ein Markenzeichen von Apple Inc. Google, Android und Google Play sind Marken von Google LLC.

ESPAÑOL Las ilustraciones pueden variar con respecto al producto. Nos esforzamos continuamente por mejorar nuestros productos; por lo tanto, las especificaciones incluidas en la presente guía están sujetas a cambio sin aviso previo.

© 2024 SharkNinja Operating LLC. SHARK es una marca registrada en la Unión Europea para SharkNinja Operating LLC.

Apple App Store es una marca comercial de Apple Inc. Google, Android y Google Play son marcas de Google LLC.

ITALIANO Il prodotto illustrato può essere diverso dal prodotto effettivo. Shark si impegna costantemente per migliorare i propri prodotti, pertanto, le specifiche descritte nel presente documento possono essere soggette a modifica senza preavviso.

© 2024 SharkNinja Operating LLC. SHARK è un marchio registrato nell'Unione europea per SharkNinja Operating LLC.

Apple App Store è un marchio di Apple Inc. Google, Android e Google Play sono marchi di Google LLC.

NORSK Illustrasjonene kan avvike fra det faktiske produktet. Vi tilstreber kontinuerlig å forbedre produktene våre; derfor kan spesifikasjonene heri bli endret uten videre varsel.

© 2024 SharkNinja Operating LLC. SHARK er et registrert varemærke i Den europeiske union som tilhører SharkNinja Operating LLC.

Apple App Store et varemærke for Apple Inc. Google, Android og Google Play er varemærker som eies av Google LLC.

SUOMI Kuvat saattavat näyttää erilaisilta kuin varsinainen tuote. Pyrimme jatkuvasti parantamaan tuotteitamme. Siksi tässä annetut tiedot voivat muuttua milloin tahansa ilman erillistä ilmoitusta.

© 2024 SharkNinja Operating LLC. SHARK on SharkNinja Operating LLC -yhtiön Euroopan unionissa rekisteröity tavaramerkki.

Apple App Store on Apple Inc.:n tavaramerkki. Google, Android ja Google Play ovat Google LLC:n tavaramerkkejä.

